



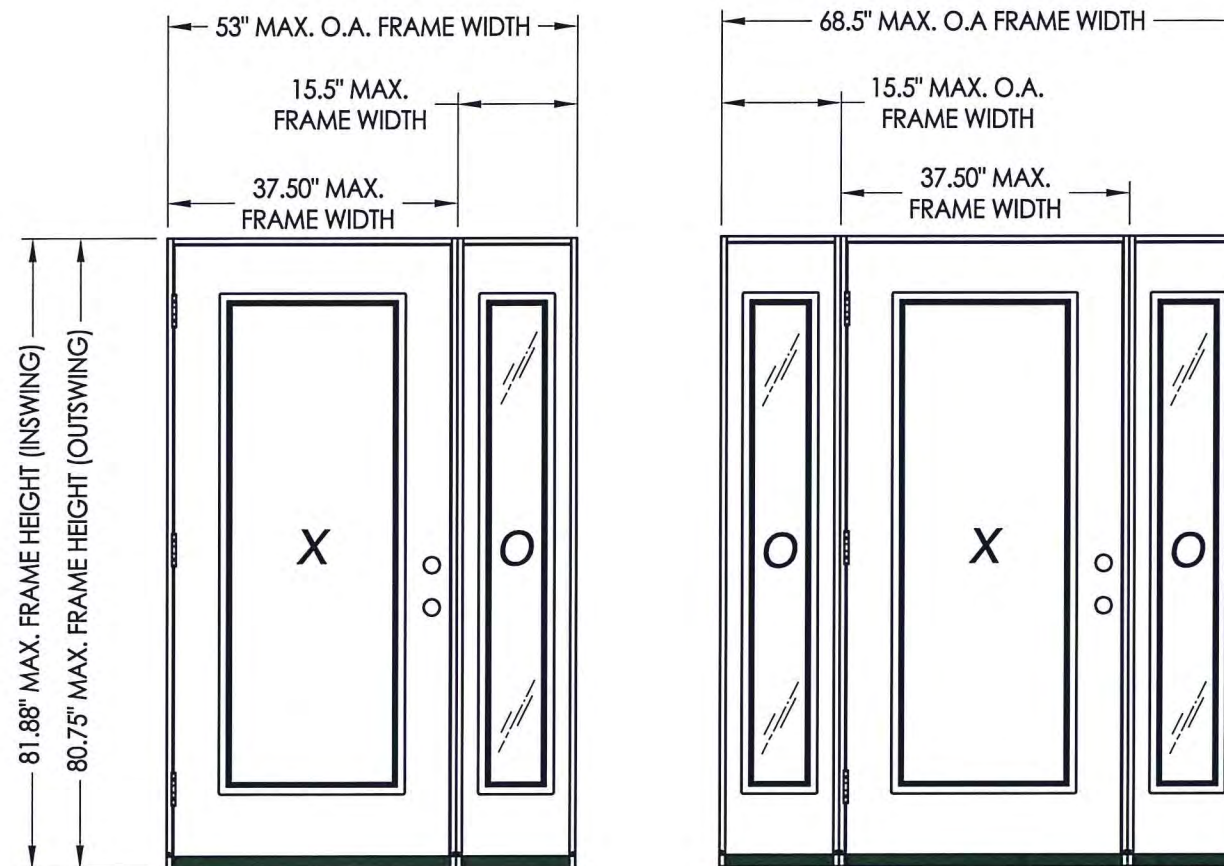
# TRINITY GLASS INTERNATIONAL

33615 1st Way S, Federal Way, WA 98003

## GLAZED FIBERGLASS DOOR with SIDELITE(S) INSWING / OUTSWING "NON-IMPACT"

### GENERAL NOTES

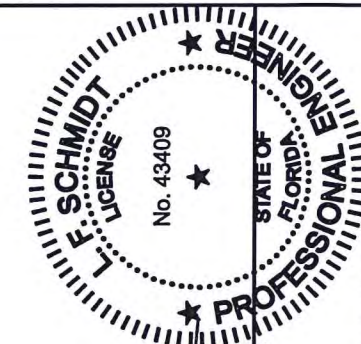
1. This product has been evaluated and is in compliance with the 5th Edition (2014) Florida Building Code (FBC) structural requirements including the "High Velocity Hurricane Zone" (HVHZ).
2. Product anchors shall be as listed and spaced as shown on details. Anchor embedment to base material shall be beyond wall dressing or stucco.
3. When used in the "HVHZ" this product is required to be protected with an impact resistant covering that complies with Section 1626 of the FBC.
4. When used in areas outside of the "HVHZ" requiring wind borne debris protection this product is required to be protected with an impact resistant covering that complies with Section 1609.1.2 of the FBC.
5. For 2x stud framing construction, anchoring of these units shall be the same as that shown for 2x buck masonry construction.
6. Site conditions that deviate from the details of this drawing require further engineering analysis by a licensed engineer or registered architect.
7. Outswing configuration using threshold item #25 meet water infiltration requirements for "HVHZ".
8. Inswing configurations and outswing configuration using threshold item #27 do not meet the water infiltration requirements for the "HVHZ" and shall be installed only in non-habitable areas or at habitable locations protected by an overhang or canopy such that the angle between the edge of canopy or overhang to sill is less than 45 degrees.



Boxed Jamb Sidelites

CONFIGURATION	MAX. FRAME DIMENSION	JAMB TYPE	DESIGN PRESSURE (PSF) FLUSH GLAZED		DESIGN PRESSURE (PSF) LIP LITE	
			POSITIVE	NEGATIVE	POSITIVE	NEGATIVE
			OX/XO	53.0" x 81.88"	WOOD	+55.0
		FIBERGLASS/COMP	+55.0	-55.0	+47.0	-47.0
OXO	68.5" x 81.88"	WOOD	+55.0	-55.0	+47.0	-47.0
		FIBERGLASS/COMP	+55.0	-55.0	+47.0	-47.0

TABLE OF CONTENTS	
SHEET#	DESCRIPTION
1	Typical elevations, design pressures & general notes
2	Door panel details - flush glazing
3	Door panel details - lip lite glazing
4	Sidelite panel details & glazing details
5	Sidelite panel details & glazing details
6	Elevations
7	Horizontal cross sections
8	Vertical cross sections
9	Vertical cross sections
10	Buck anchoring
11	Frame anchoring
12	Components
13	Bill of materials

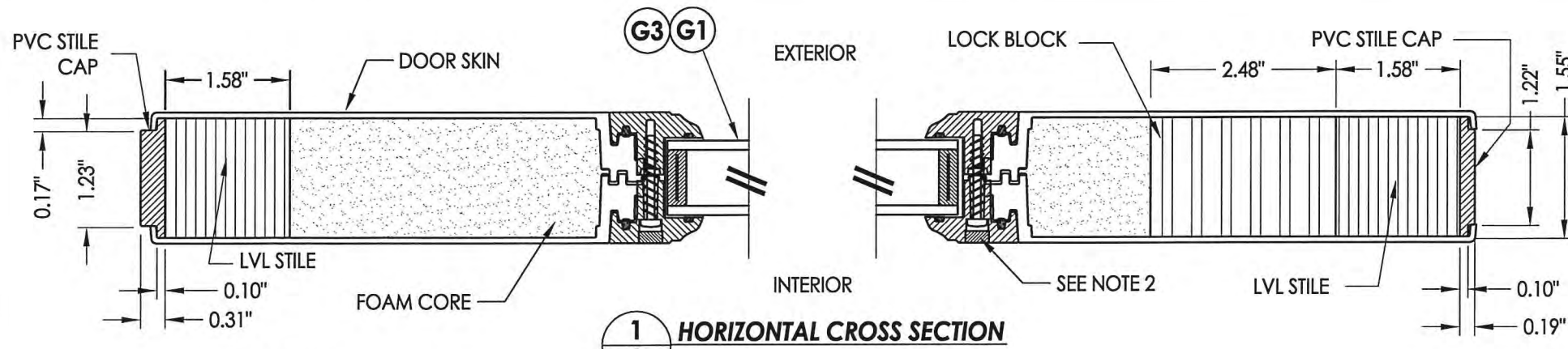


Documents Prepared By:  
Lyndon F. Schmidt  
P.E. No. 43409

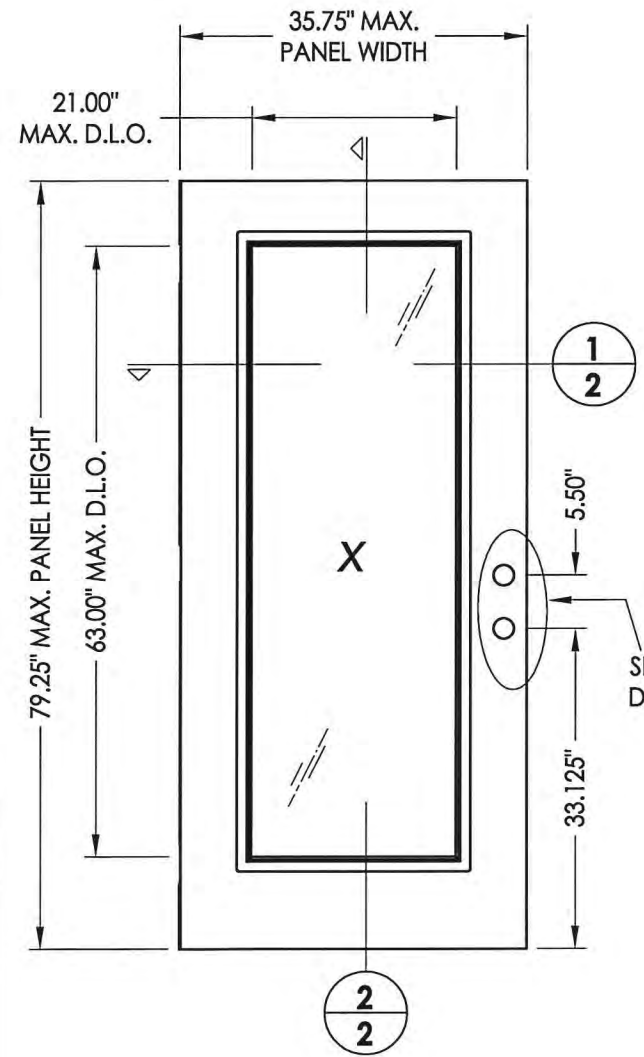
BUILDING CONSULTANTS, INC.  
P.O. Box 230, Valrico, FL 33595  
Phone No.: 813.659.9197  
FBPE C.A. No. 9813

PRODUCT:	TRINITY GLASS INT'L
PART OR ASSEMBLY:	TYPICAL ELEVATION, DESIGN PRESSURES & GENERAL NOTES
DATE:	2/27/12
SCALE:	N.T.S.
DWG. BY:	JK
CHK. BY:	LFS
DRAWING NO.:	FL-15255.15
SHEET	1 OF 13

R:\Clients\Trinity PERMANENT\Florida Product Approvals\FL-15255\C - Drawings\FL-15255\FL-15255.13-16.dwg, FL-15129.15



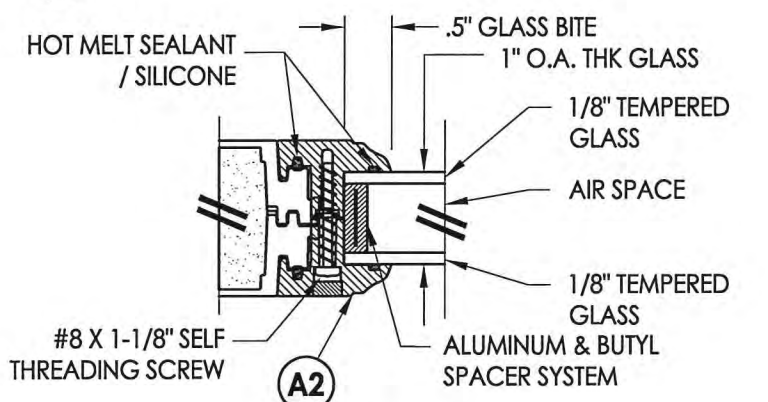
**1**  
**2** HORIZONTAL CROSS SECTION



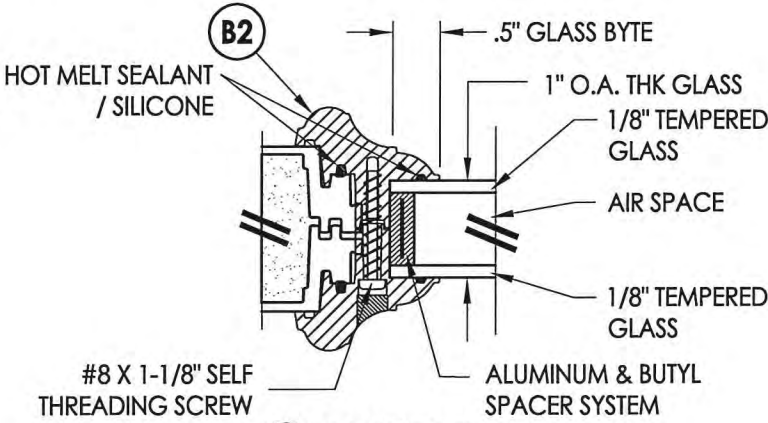
**40** FIBERGLASS DOOR with FLUSH GLAZING

FIBERGLASS DOOR SKIN: MIN. 0.079" THK.  
FOAM CORE MATERIAL: POLYURETHANE

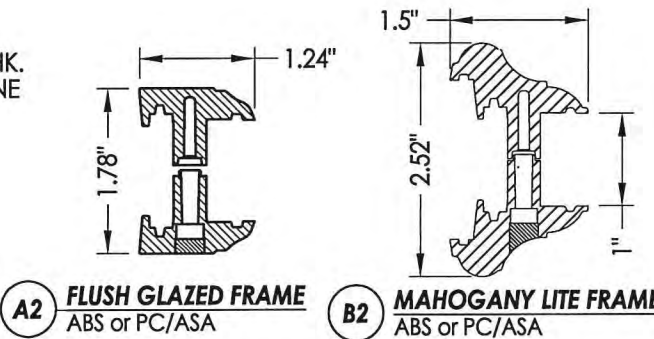
NOTES:  
Spacing for lite frame screws is as follows:  
Top/Bottom: 2-3/4" from each corner and  
equally spaced thereafter (4 total)  
Sides: 2-3/4" from each corner and  
equally spaced thereafter (8 total)



**G1** GLAZING DETAIL  
Flush Lite Frame



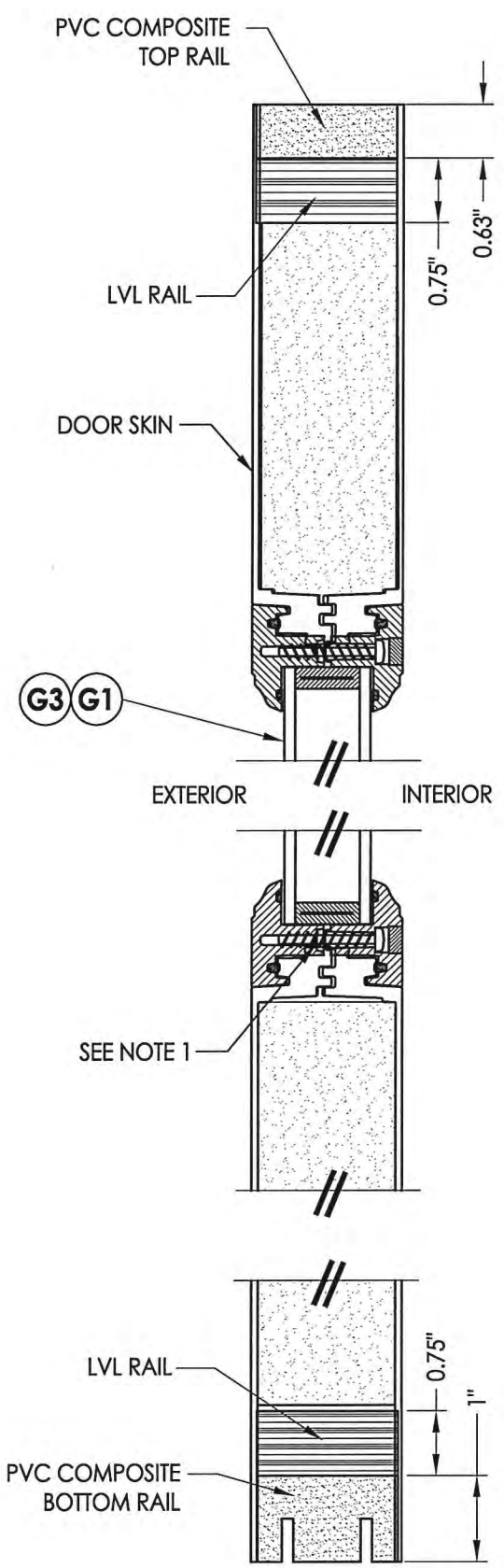
**G3** GLAZING DETAIL  
Flush Lite Frame



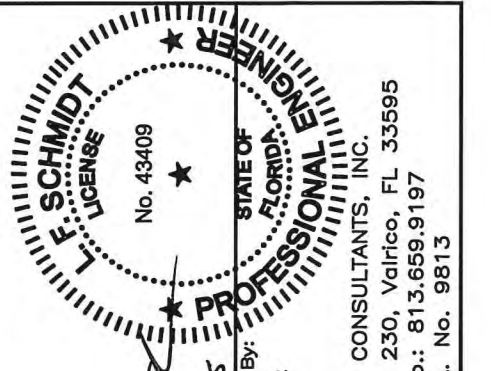
**A2** FLUSH GLAZED FRAME  
ABS or PC/ASA

**B2** MAHOGANY LITE FRAME  
ABS or PC/ASA

HARDWARE CHART	
MANUFACTURER	MODEL
KWIKSET	KNOB: SIGNATURE SERIES DEADBOLT: SIGNATURE SERIES (980)



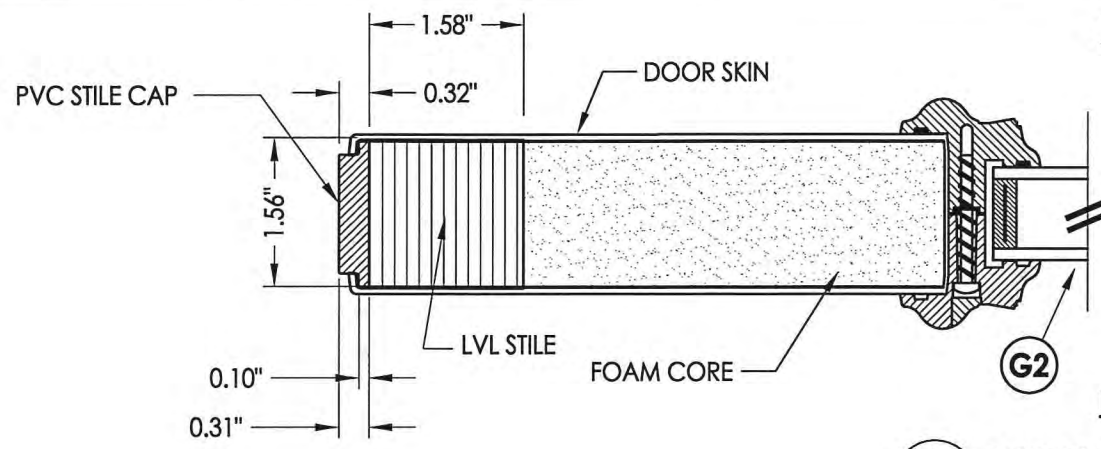
**2**  
**2** VERTICAL CROSS SECTION



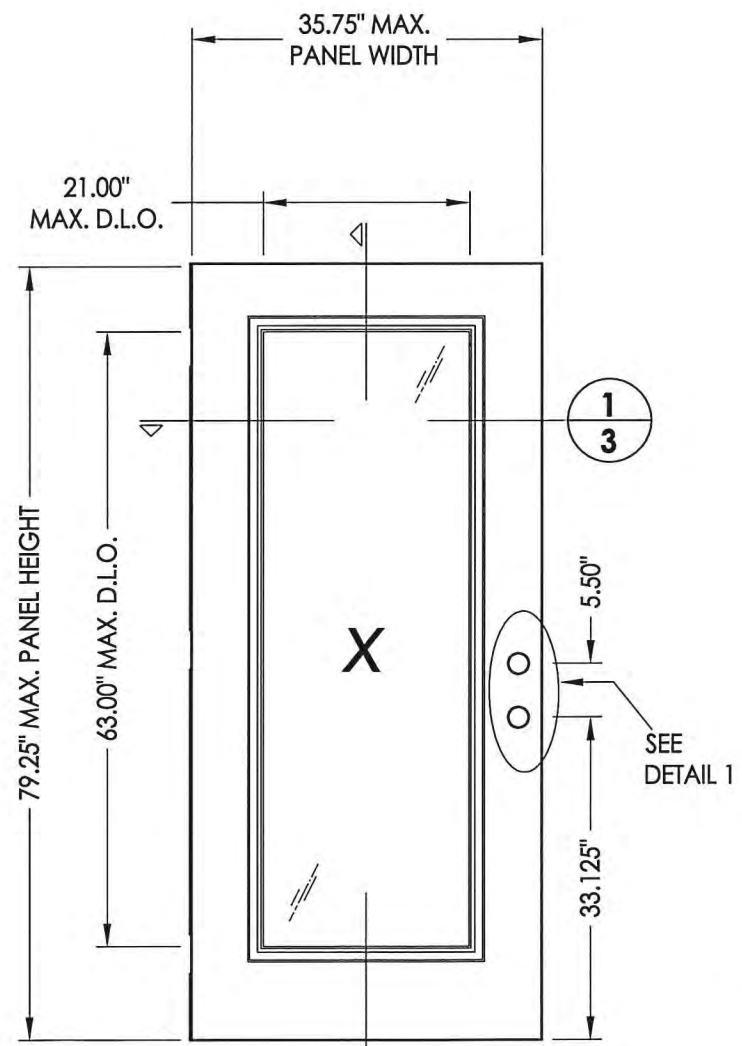
Documents Prepared By:  
Lyndon F. Schmidt  
P.E. No. 43409

**RW**  
BUILDING CONSULTANTS, INC.  
P.O. Box 230, Valrico, FL 33595  
Phone No.: 813.659.9197  
FBPE C.A. No. 9813

PRODUCT:	TRINITY GLASS INT'L	
PART OR ASSEMBLY:	DOOR PANEL DETAILS FLUSH GLAZING	
NO.	DATE	BY
1	03/02/15	JK
	UPDATE TO 5TH ED. (2014) FBC	
REVISIONS		
DATE:	2/27/12	
SCALE:	N.T.S.	
DWG. BY:	JK	
CHK. BY:	LFS	
DRAWING NO.:	FL-15255.15	
SHEET	2 of 13	

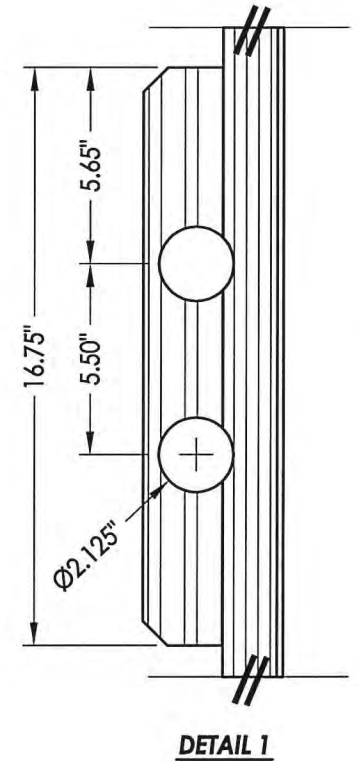


**1**  
**3** HORIZONTAL CROSS SECTION

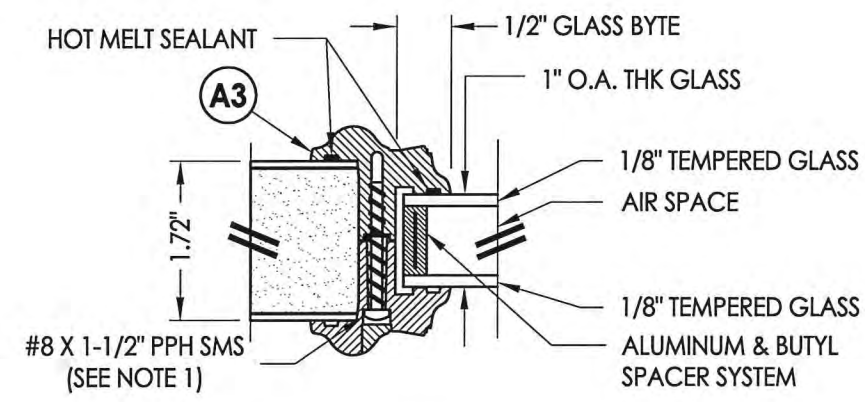


**2**  
**3**  
**40** FIBERGLASS DOOR PANEL with LIP LITE GLAZING

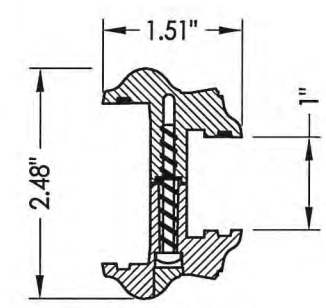
FIBERGLASS DOOR SKIN: MIN. 0.079" THK.  
FOAM CORE MATERIAL: POLYURETHANE



DETAIL 1



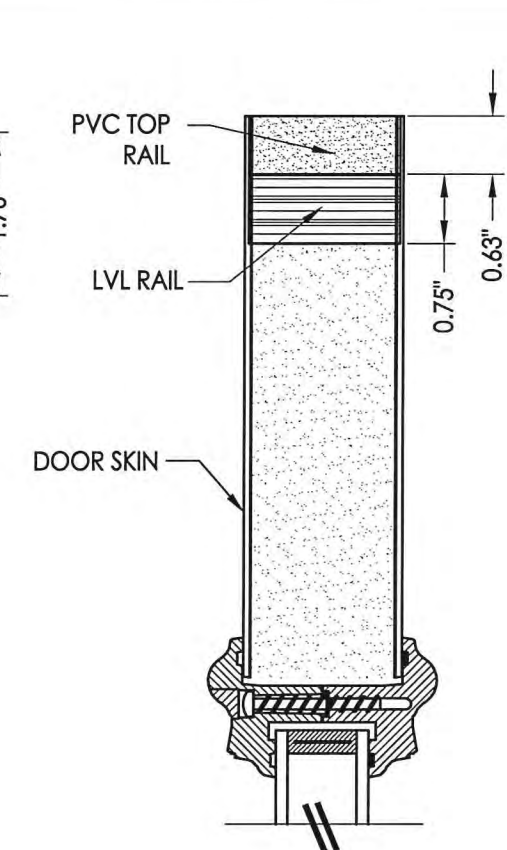
**G2** GLAZING DETAIL Lip Lite Frame



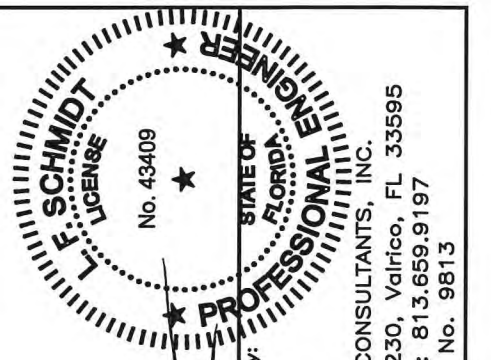
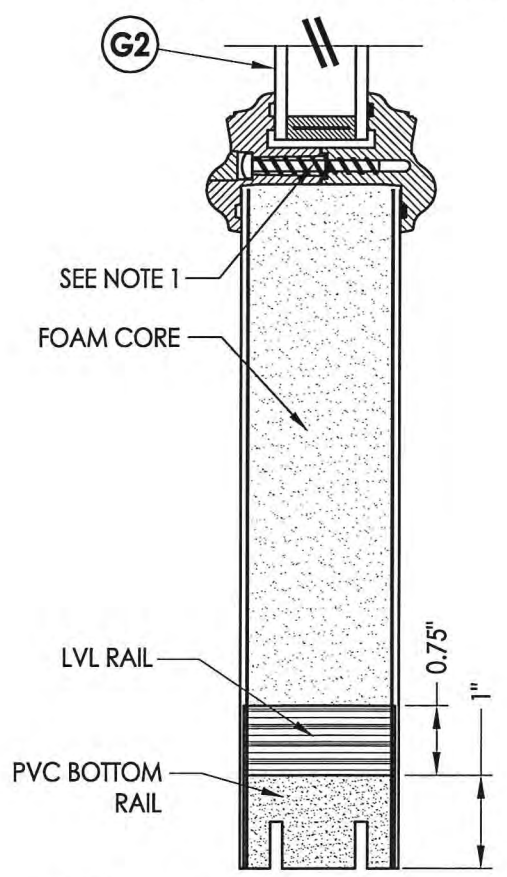
**A3** LIP LITE FRAME ABS or PC/ASA

HARDWARE CHART	
MANUFACTURER	MODEL
KWIKSET	KNOB: SIGNATURE SERIES DEADBOLT: SIGNATURE SERIES (980)

NOTE:  
1. Spacing for lite frame screw is as follows:  
Top and Bottom: 2" from each corner and at centerline (3 total)  
Sides: 2" from each corner and equally spaced thereafter (8 total)



**2**  
**3** VERTICAL CROSS SECTION



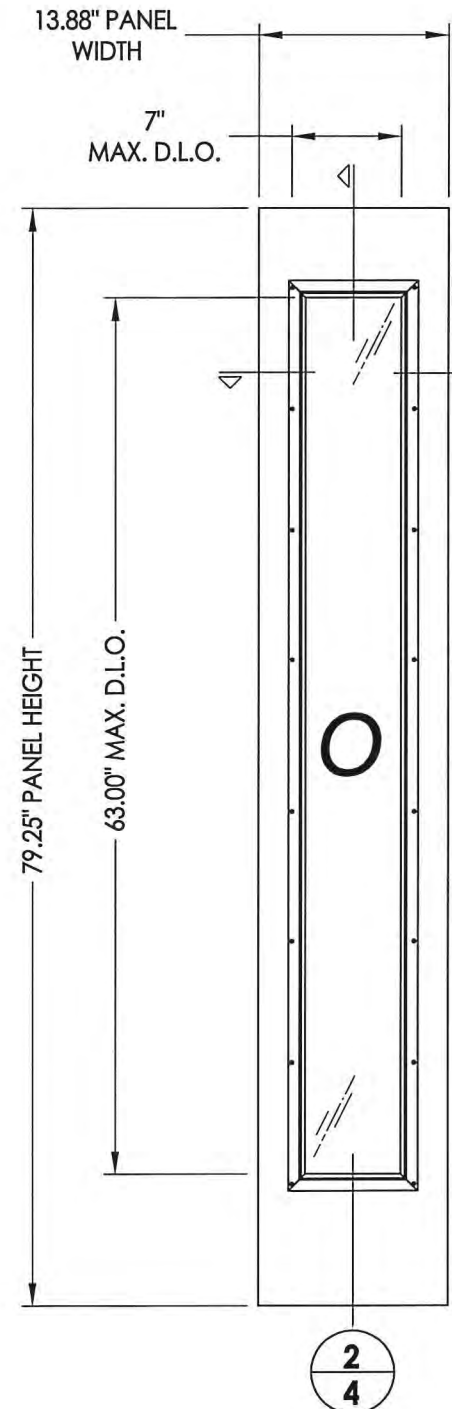
Documents Prepared By:  
Lyndon F. Schmidt  
P.E. No. 43409  
*LFS*  
*S. R. W.*

**R.W.** BUILDING CONSULTANTS, INC.  
P.O. Box 230, Valrico, FL 33595  
Phone No.: 813.659.9197  
FBPE C.A. No. 9813

PRODUCT:	TRINITY GLASS INT'L
PART OR ASSEMBLY:	DOOR PANEL DETAILS LIP LITE GLAZING

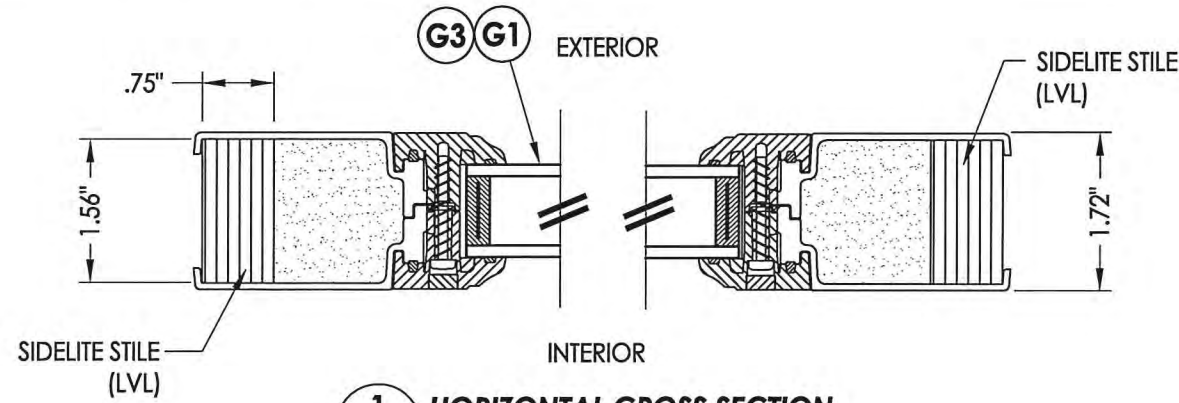
NO.	DATE	BY	REVISIONS
1	03/02/15	JK	UPDATE TO 5TH ED. (2014) FBC

DATE:	2/27/12
SCALE:	N.T.S.
DWG. BY:	JK
CHK. BY:	LFS
DRAWING NO.:	FL-15255.15
SHEET	3 OF 13

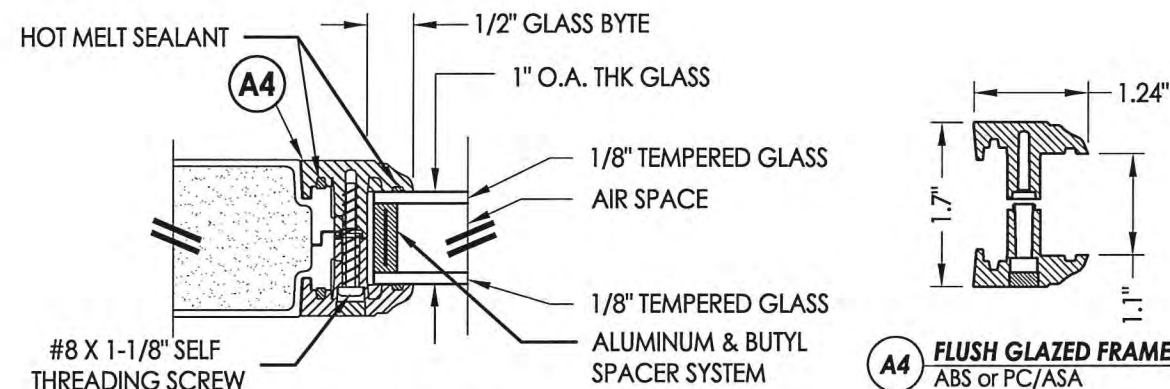


**42 FIBERGLASS SIDELITE**  
"Non-Impact" Flush Lite Frame

DOOR SKIN: 0.079" MIN. THK. FIBERGLASS  
CORE MATERIAL: POLYURETHANE FOAM



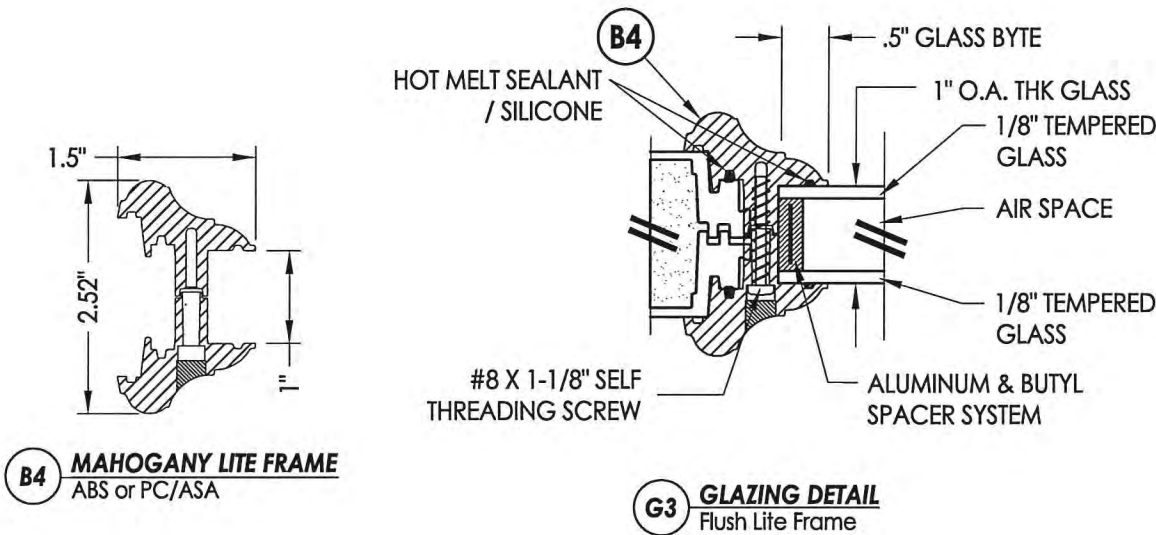
**1 4 HORIZONTAL CROSS SECTION**



**A4 FLUSH GLAZED FRAME**  
ABS or PC/ASA



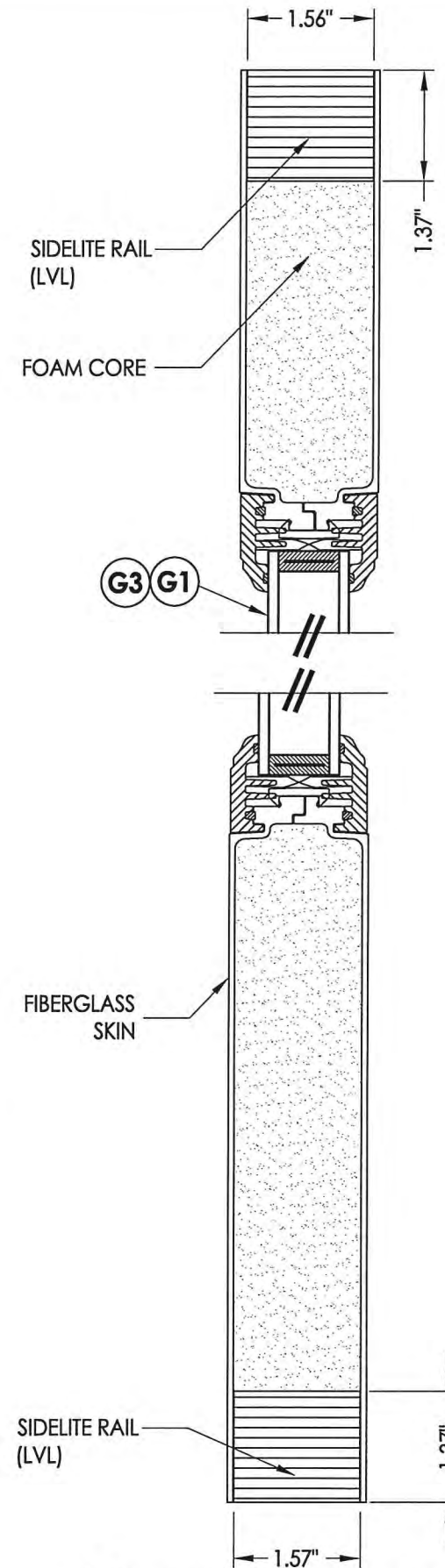
**G1 GLAZING DETAIL**  
Flush Lite Frame



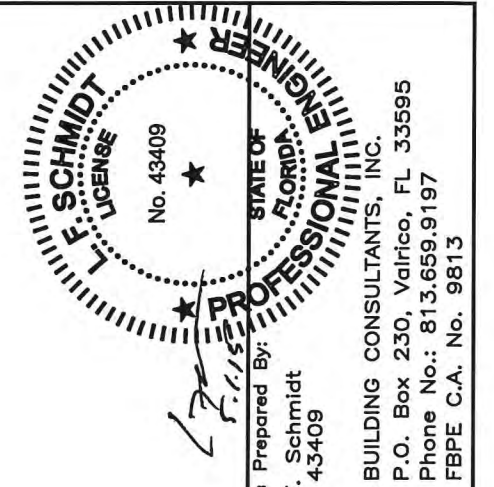
**B4 MAHOGANY LITE FRAME**  
ABS or PC/ASA

**G3 GLAZING DETAIL**  
Flush Lite Frame

NOTE:  
1. Spacing for lite frame screw is as follows:  
Sides: 0.5" from each corner and 9.5" max. spacing thereafter (8 total)



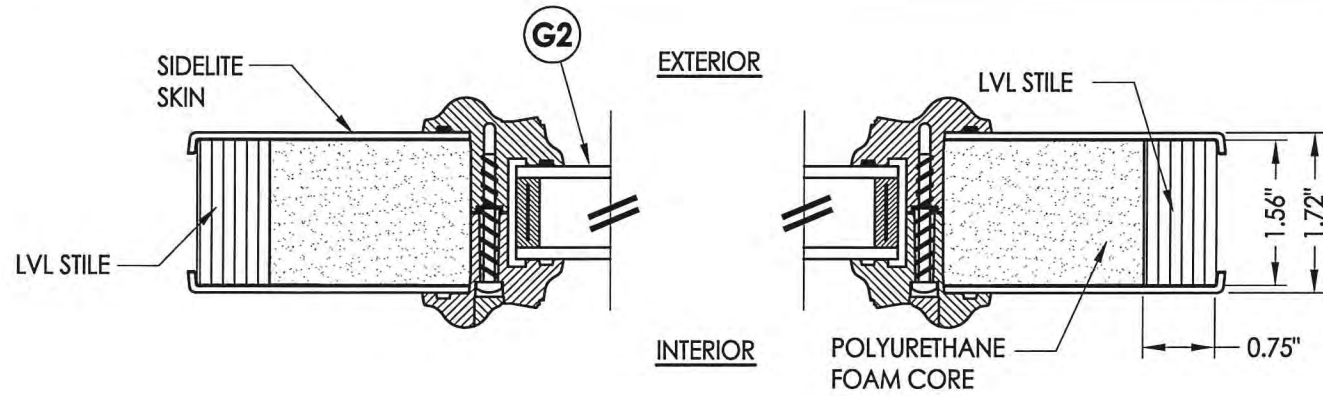
**2 4 VERTICAL CROSS SECTION**



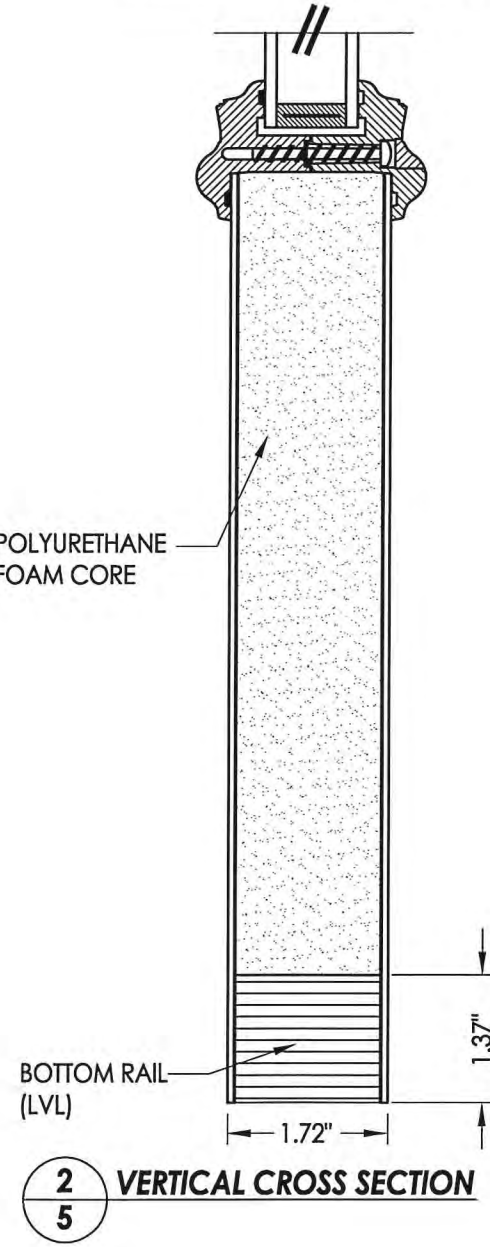
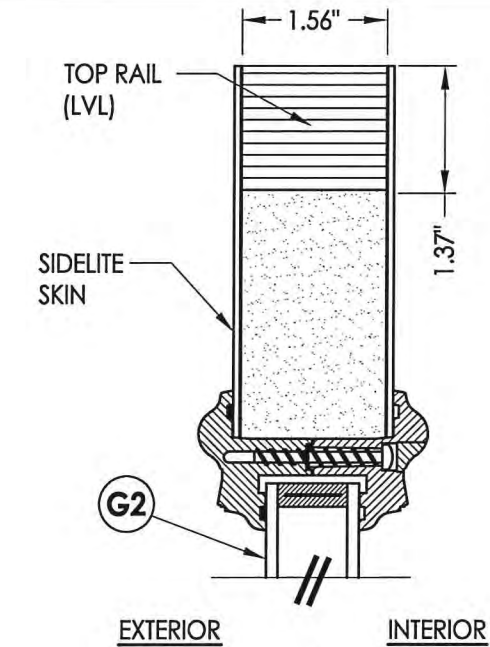
Documents Prepared By:  
Lyndon F. Schmidt  
P.E. No. 43409

**R.W. BUILDING CONSULTANTS, INC.**  
P.O. Box 230, Valrico, FL 33595  
Phone No.: 813.659.9197  
FBPE C.A. No. 9813

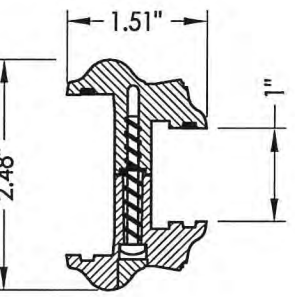
PRODUCT:	TRINITY GLASS INT'L
PART OR ASSEMBLY:	SIDELITE PANEL DETAILS & GLAZING DETAILS
DATE:	2/27/12
SCALE:	N.T.S.
DWG. BY:	JK
CHK. BY:	LFS
DRAWING NO.:	FL-15255.15
SHEET	4 OF 13



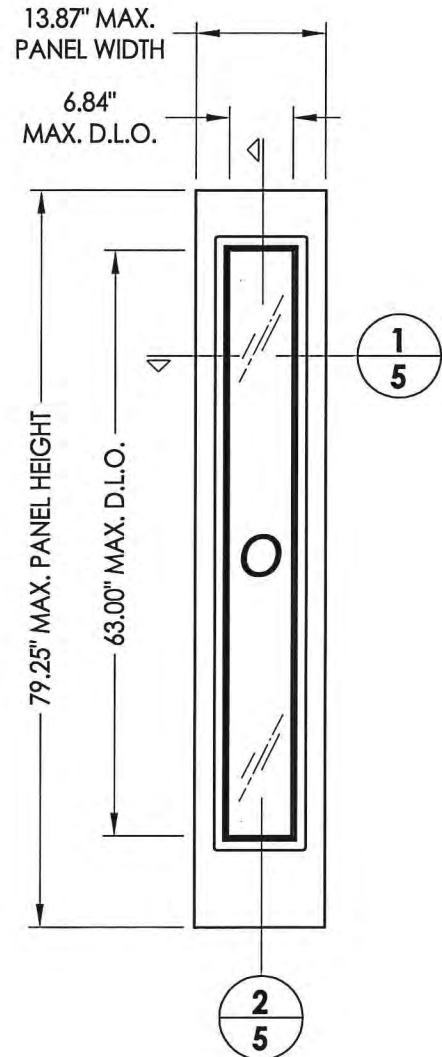
**1**  
**5** HORIZONTAL CROSS SECTION



**G2** GLAZING DETAIL  
Lip Lite Frame



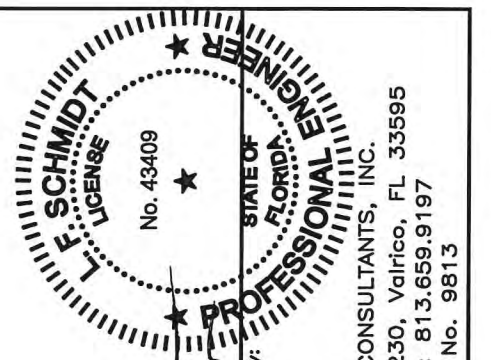
**A5** LIP LITE FRAME  
ABS or PC/ASA



**41** FIBERGLASS SIDELITE  
"Non-Impact" Lite Frame

DOOR SKIN: 0.079" MIN. THK. FIBERGLASS  
CORE MATERIAL: POLYURETHANE FOAM

NOTE:  
1. Spacing for lite frame screw is as follows:  
Top and Bottom: 2" from each corner (2 total)  
Sides: 2" from each corner and equally spaced thereafter (8 total)

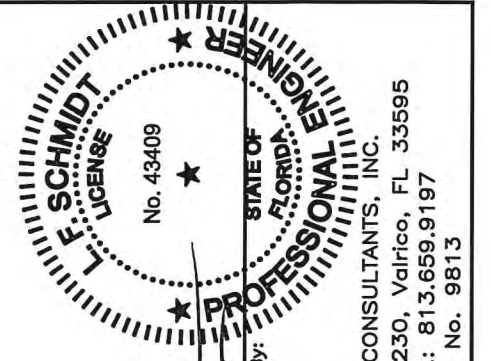
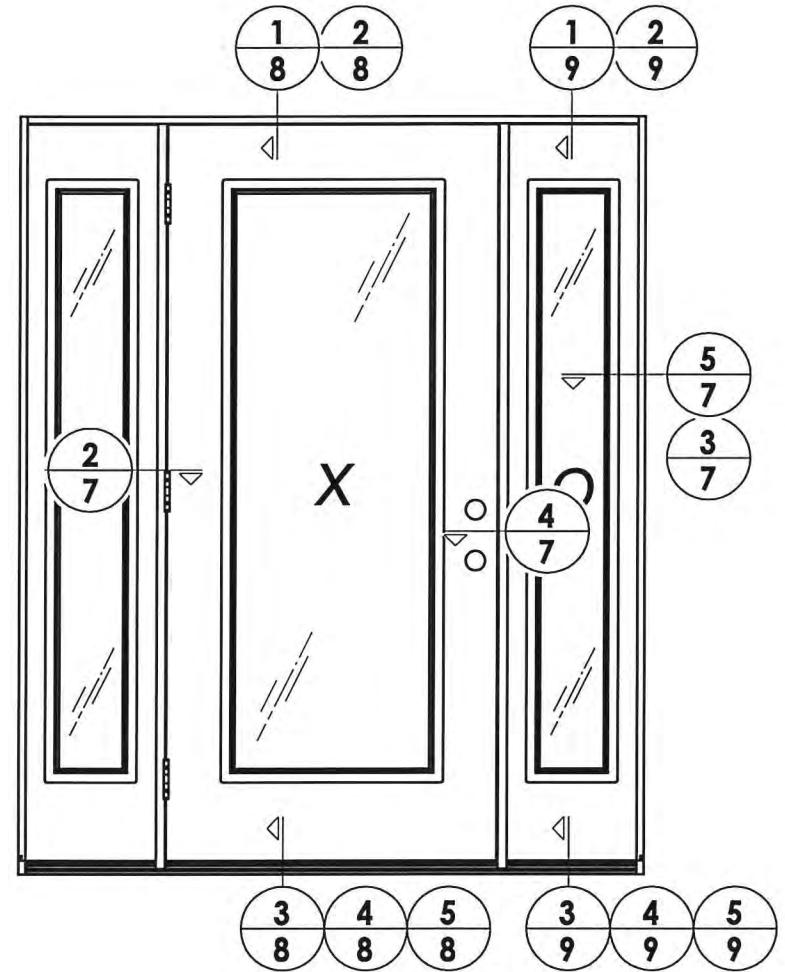
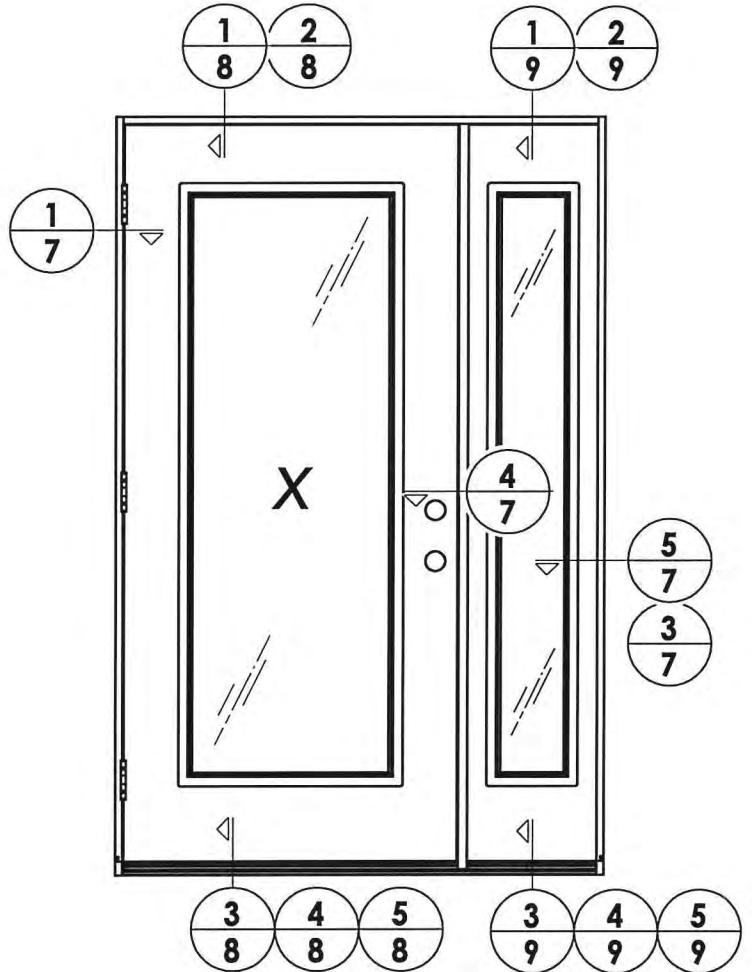


Documents Prepared By:  
Lyndon F. Schmidt  
P.E. No. 43409  
**RW** BUILDING CONSULTANTS, INC.  
P.O. Box 230, Valrico, FL 33595  
Phone No.: 813.659.9197  
FBPE C.A. No. 9813

PRODUCT:	TRINITY GLASS INT'L
PART OR ASSEMBLY:	SIDELITE PANEL DETAILS & GLAZING DETAILS

NO.	DATE	BY	REVISIONS
1	03/02/15	JK	UPDATE TO 5TH ED. (2014) FBC

DATE:	2/27/12
SCALE:	N.T.S.
DWG. BY:	JK
CHK. BY:	LFS
DRAWING NO.:	FL-15255.15
SHEET	5 OF 13

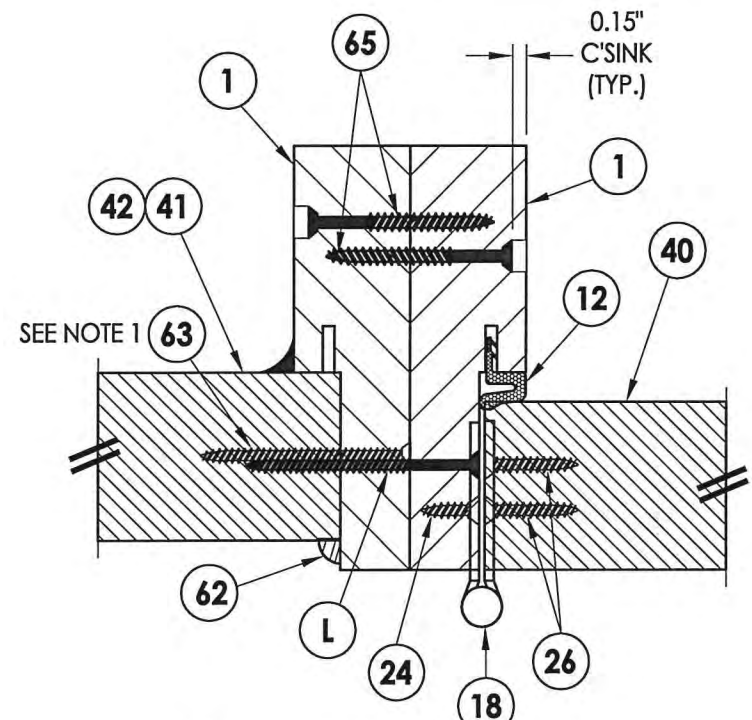


Documents Prepared By:  
 Lyndon F. Schmidt  
 P.E. No. 43409

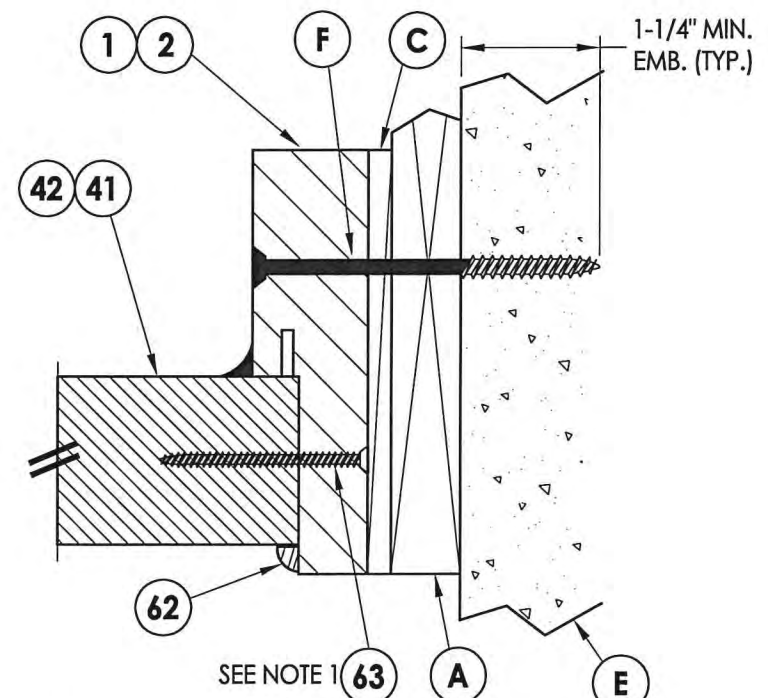
*RW* BUILDING CONSULTANTS, INC.  
 P.O. Box 230, Valrico, FL 33595  
 Phone No.: 813.659.9197  
 FBPE C.A. No. 9813

PRODUCT: TRINITY GLASS INT'L	
PART OR ASSEMBLY: ELEVATIONS	
NO.	DATE
1	03/02/15
REVISIONS	
DATE:	2/27/12
SCALE:	N.T.S.
DWG. BY:	JK
CHK. BY:	LFS
DRAWING NO.:	FL-15255.15
SHEET	6 OF 13

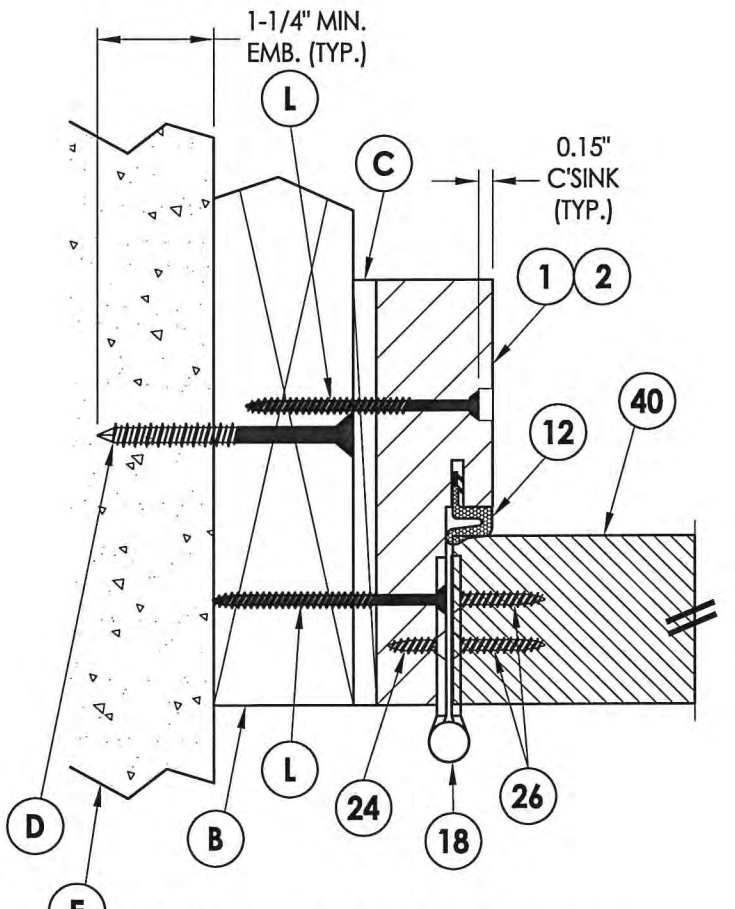
R:\Clients\Trinity PERMANENT\Florida Product Approvals\FL-15255\C - Drawings\FL-15255\FL-15255.13-16.dwg, 7.7



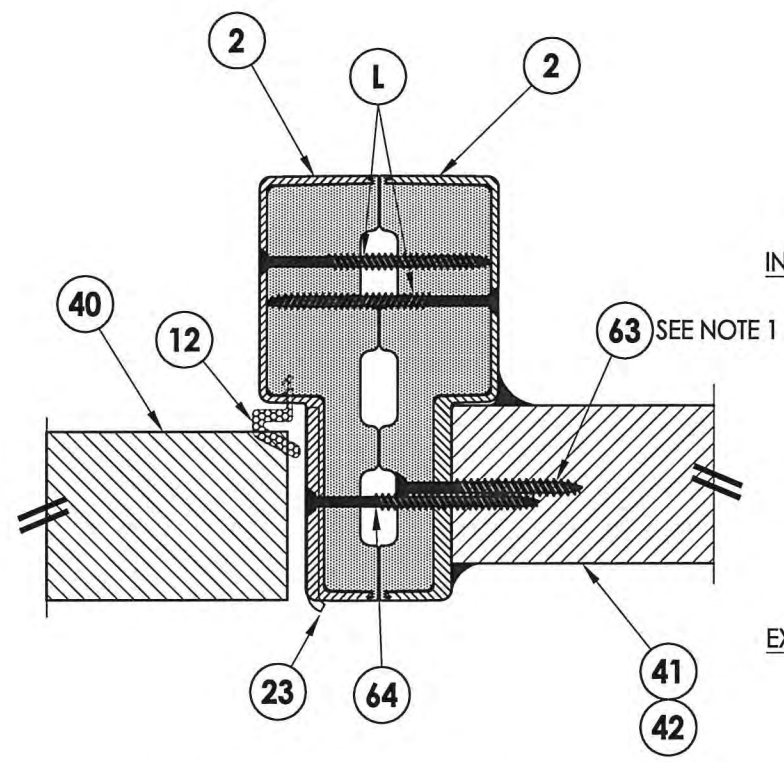
**2** HORIZONTAL CROSS SECTION  
**7** Outswing shown - Inswing also approved  
 Shown w/ wood jambs



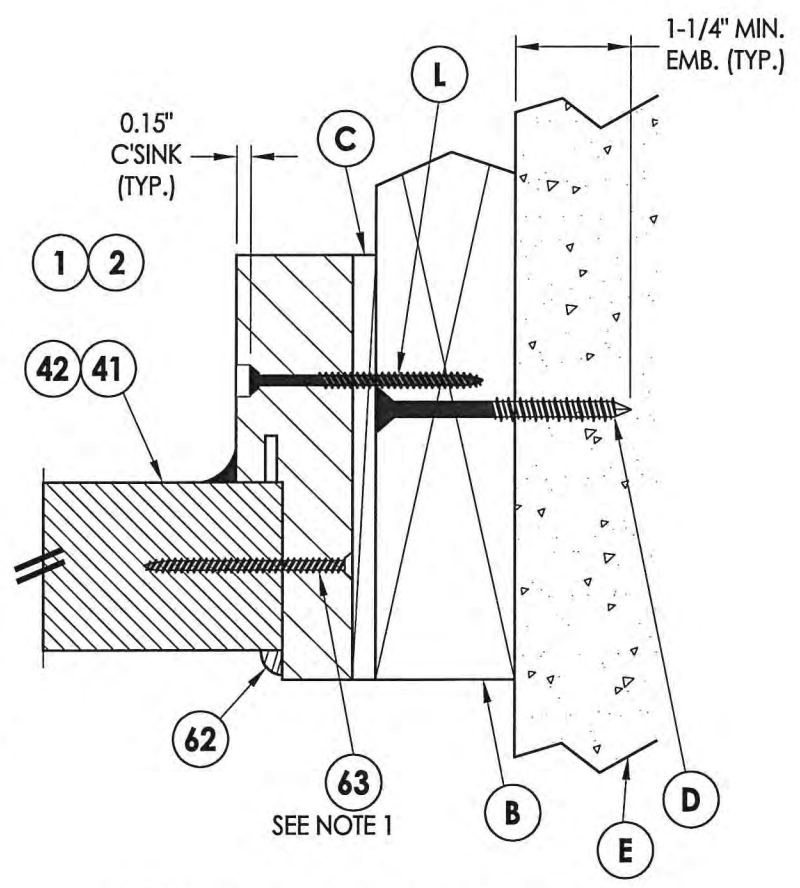
**3** HORIZONTAL CROSS SECTION  
**7** Shown w/1X sub-buck



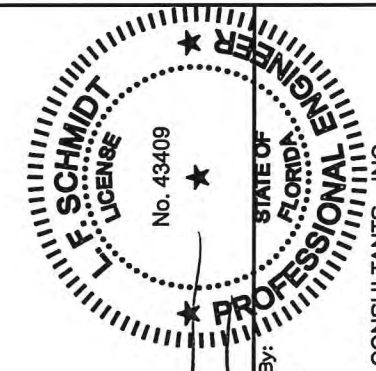
**1** HORIZONTAL CROSS SECTION  
**7** Outswing shown - Inswing also approved



**4** HORIZONTAL CROSS SECTION  
**7** Outswing shown - Inswing also approved  
 Shown w/ Fiberglass/Comp. jambs



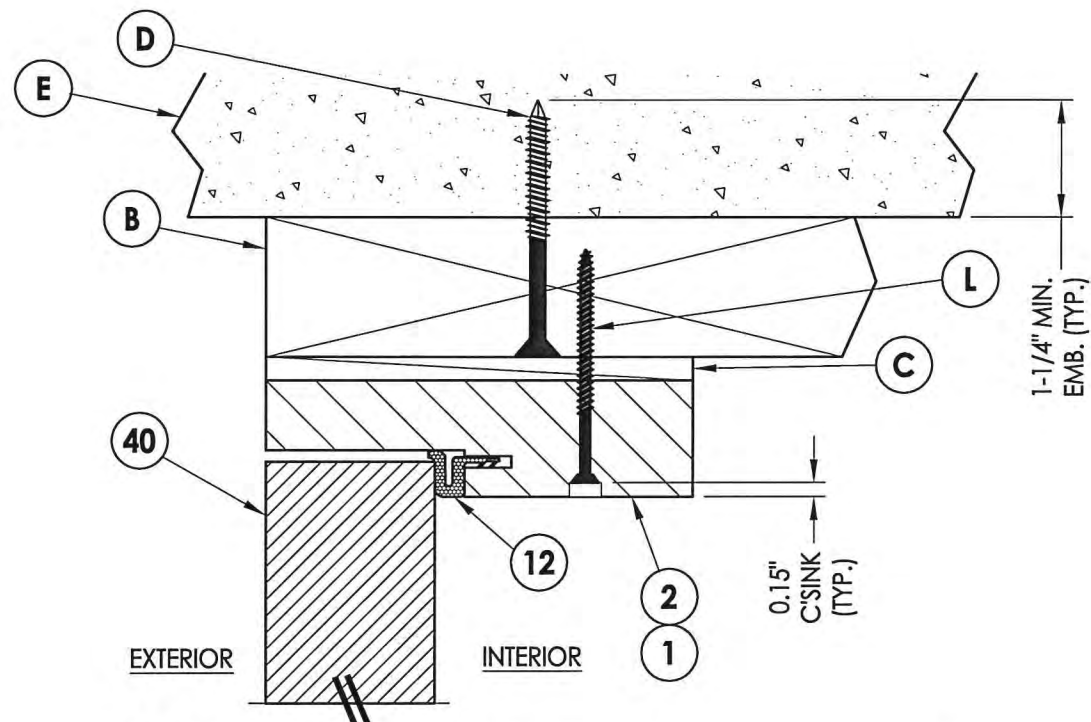
**5** HORIZONTAL CROSS SECTION  
**7** Outswing shown - Inswing also approved



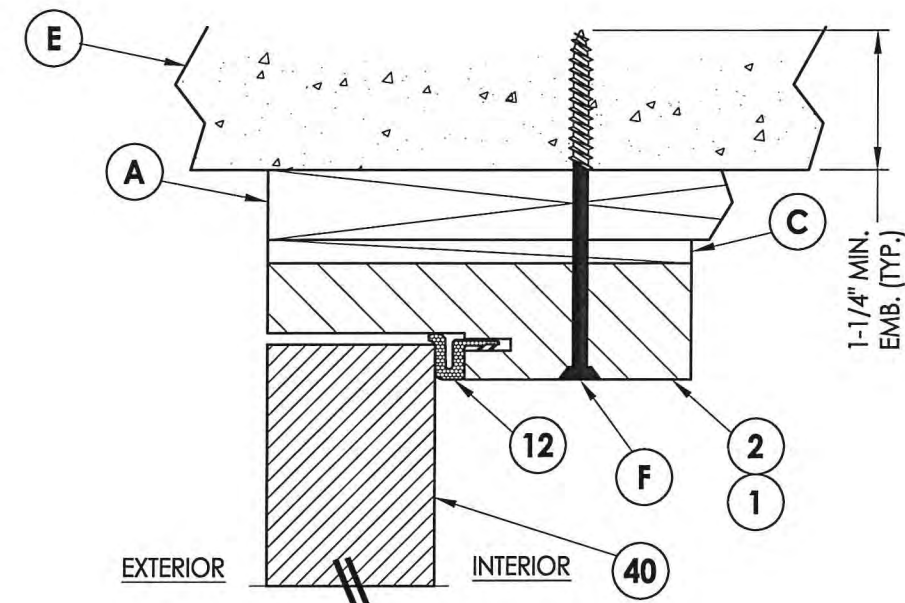
Documents Prepared By:  
 Lyndon F. Schmidt  
 P.E. No. 43409

**R.W.** BUILDING CONSULTANTS, INC.  
 P.O. Box 230, Valrico, FL 33595  
 Phone No.: 813.659.9197  
 FBPE C.A. No. 9813

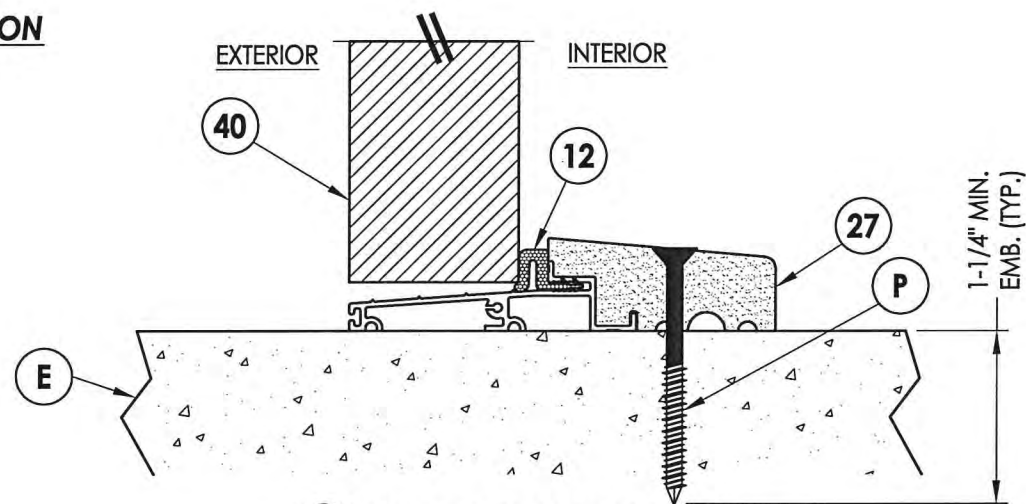
PRODUCT:	TRINITY GLASS INT'L	
PART OR ASSEMBLY:	HORIZONTAL CROSS SECTIONS	
DATE:	2/27/12	
SCALE:	N.T.S.	
DWG. BY:	JK	
CHK. BY:	LFS	
DRAWING NO.:	FL-15255.15	
SHEET	7 OF 13	
NO.	DATE	BY
1	03/02/15	JK
REVISIONS		
UPDATE TO 5TH ED. (2014) FBC		



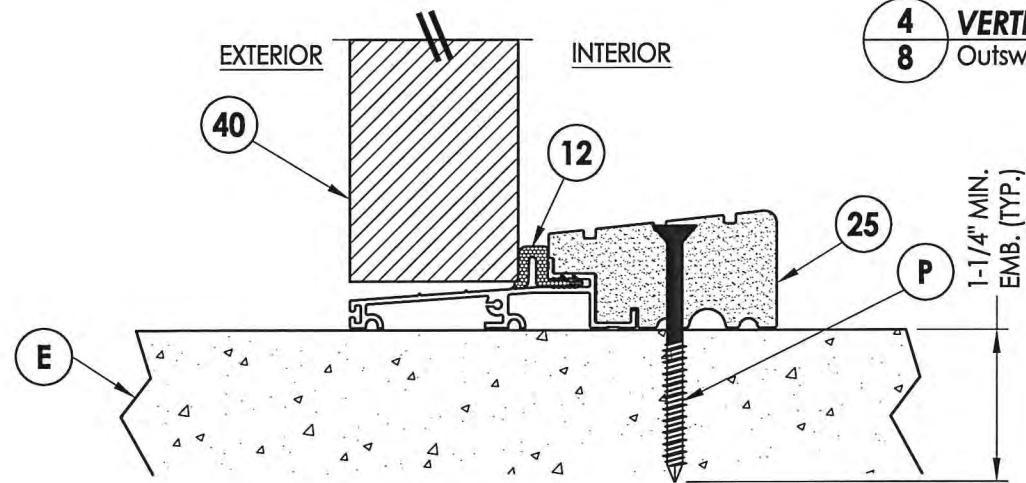
**1** **VERTICAL CROSS SECTION**  
**8** Outswing shown  
 Inswing also approved



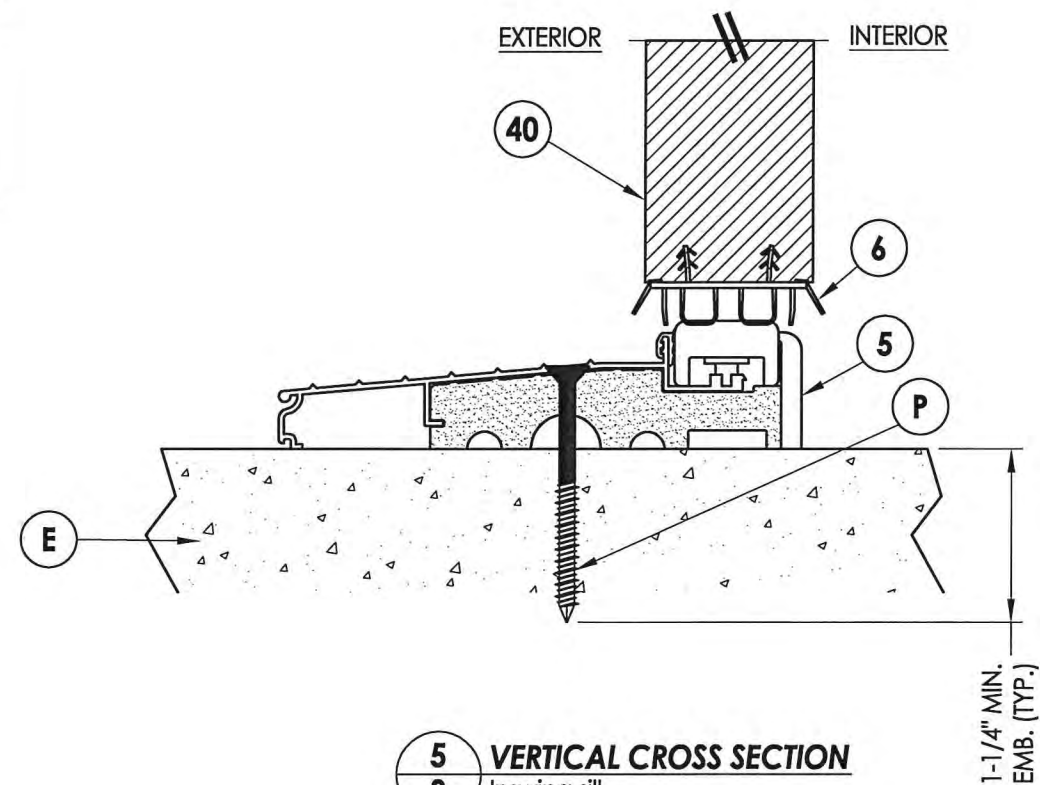
**2** **VERTICAL CROSS SECTION**  
**8** Shown w/1X sub-buck



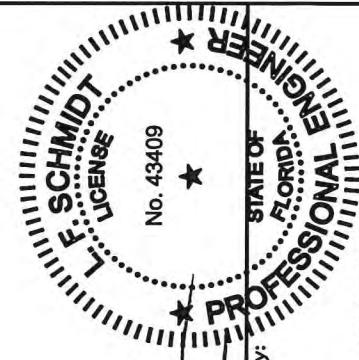
**4** **VERTICAL CROSS SECTION**  
**8** Outswing sill



**3** **VERTICAL CROSS SECTION**  
**8** Outswing sill - high dam



**5** **VERTICAL CROSS SECTION**  
**8** Inswing sill



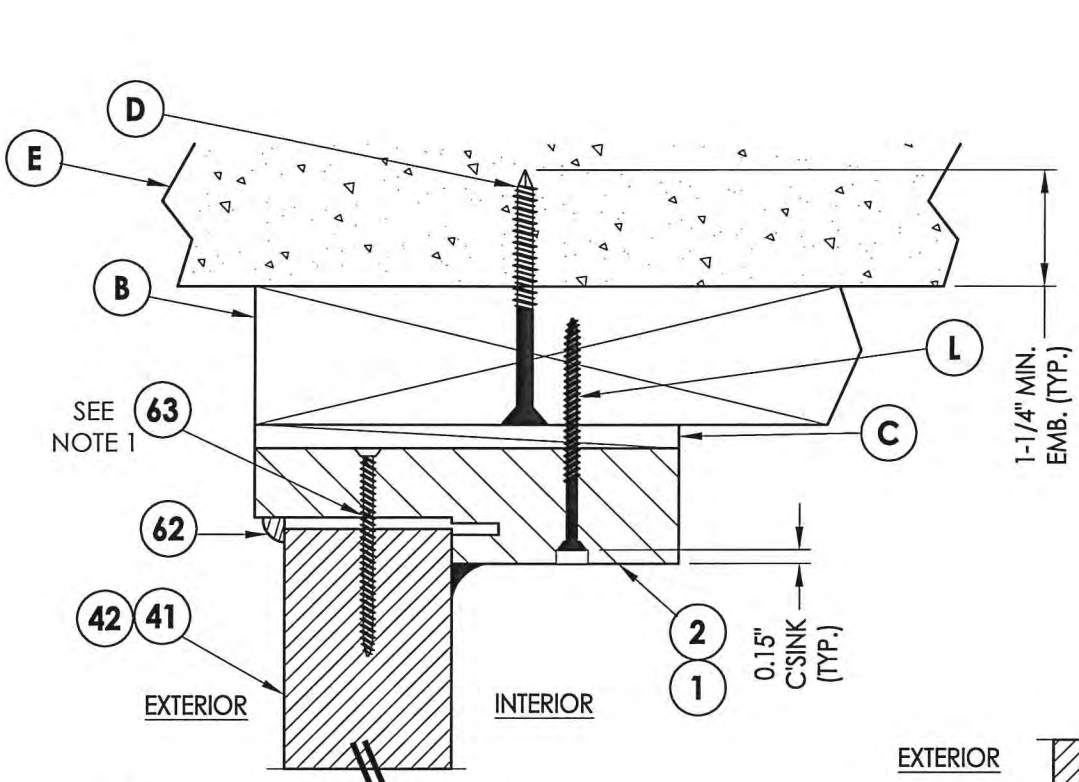
Documents Prepared By:  
 Lyndon F. Schmidt  
 P.E. No. 43409

**R.W.** BUILDING CONSULTANTS, INC.  
 P.O. Box 230, Valrico, FL 33595  
 Phone No.: 813.659.9197  
 FBPE C.A. No. 9813

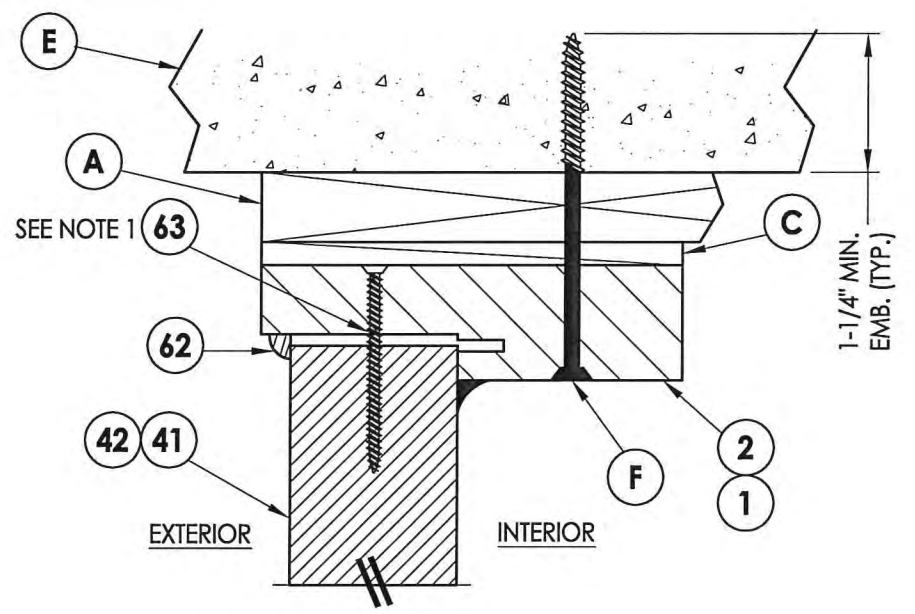
PRODUCT:	TRINITY GLASS INT'L	
PART OR ASSEMBLY:	VERTICAL CROSS SECTIONS	
DATE:	2/27/12	
SCALE:	N.T.S.	
DWG. BY:	JK	
CHK. BY:	LFS	
DRAWING NO.:	FL-15255.15	
SHEET	8 OF 13	
NO.	DATE	BY
1	03/02/15	JK
REVISIONS		



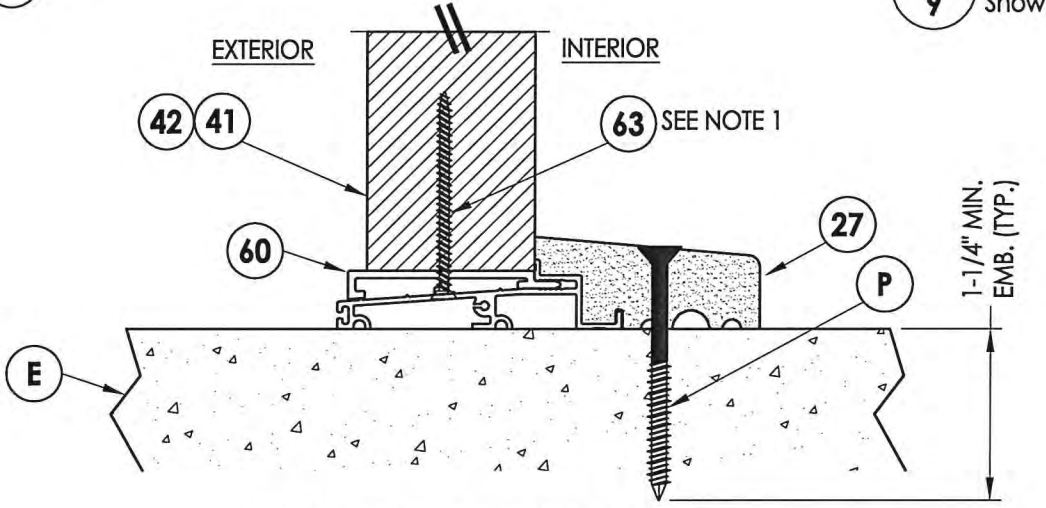
R:\Clients\Trinity PERMANENT\Florida Product Approvals\FL-15255C - Drawings\FL-15255\FL-15255.13-16.dwg, 9.7



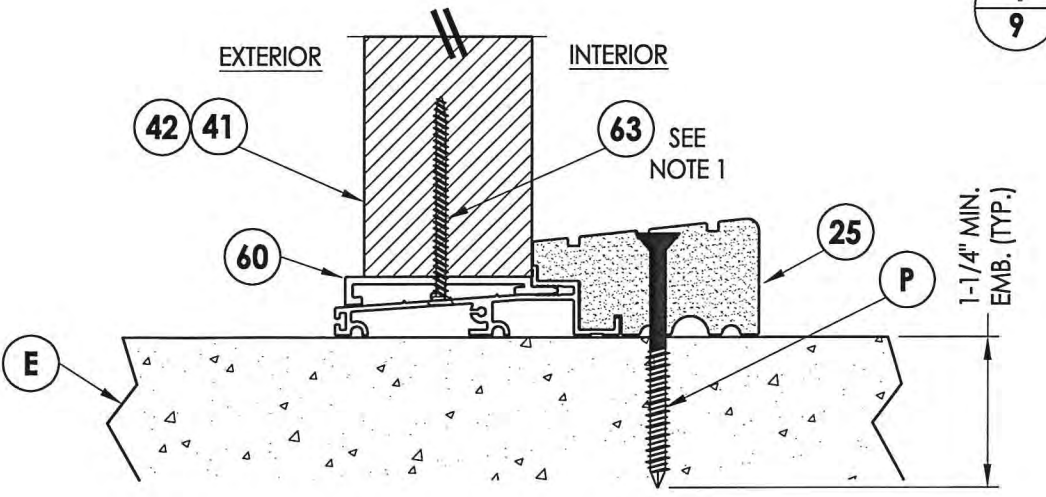
**1** VERTICAL CROSS SECTION  
**9**



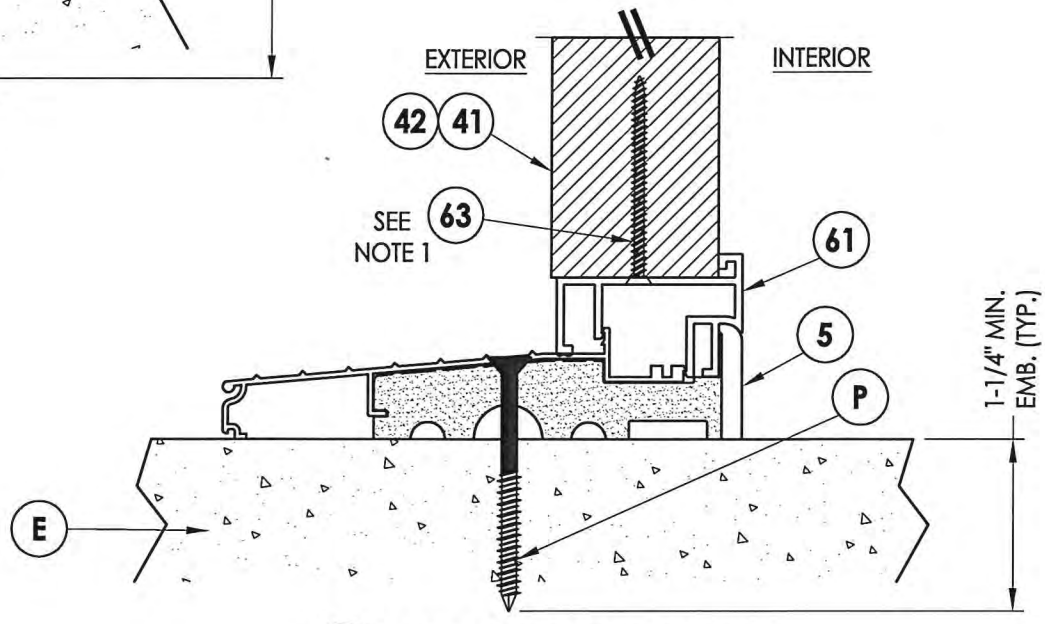
**2** VERTICAL CROSS SECTION  
**9** Shown w/1X sub-buck



**4** VERTICAL CROSS SECTION  
**9** Outswing sill

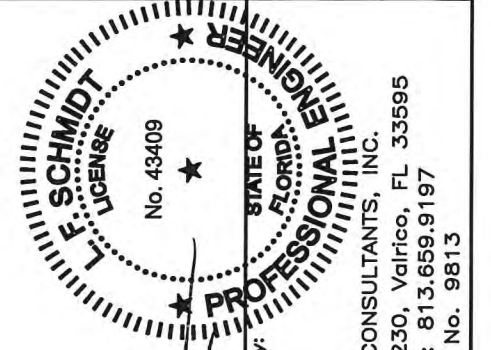


**3** VERTICAL CROSS SECTION  
**9** Outswing sill - high dam



**5** VERTICAL CROSS SECTION  
**9** Inswing sill

**NOTE:**  
1. Screws thru head and sill jamb located 3" from each end and on center line.

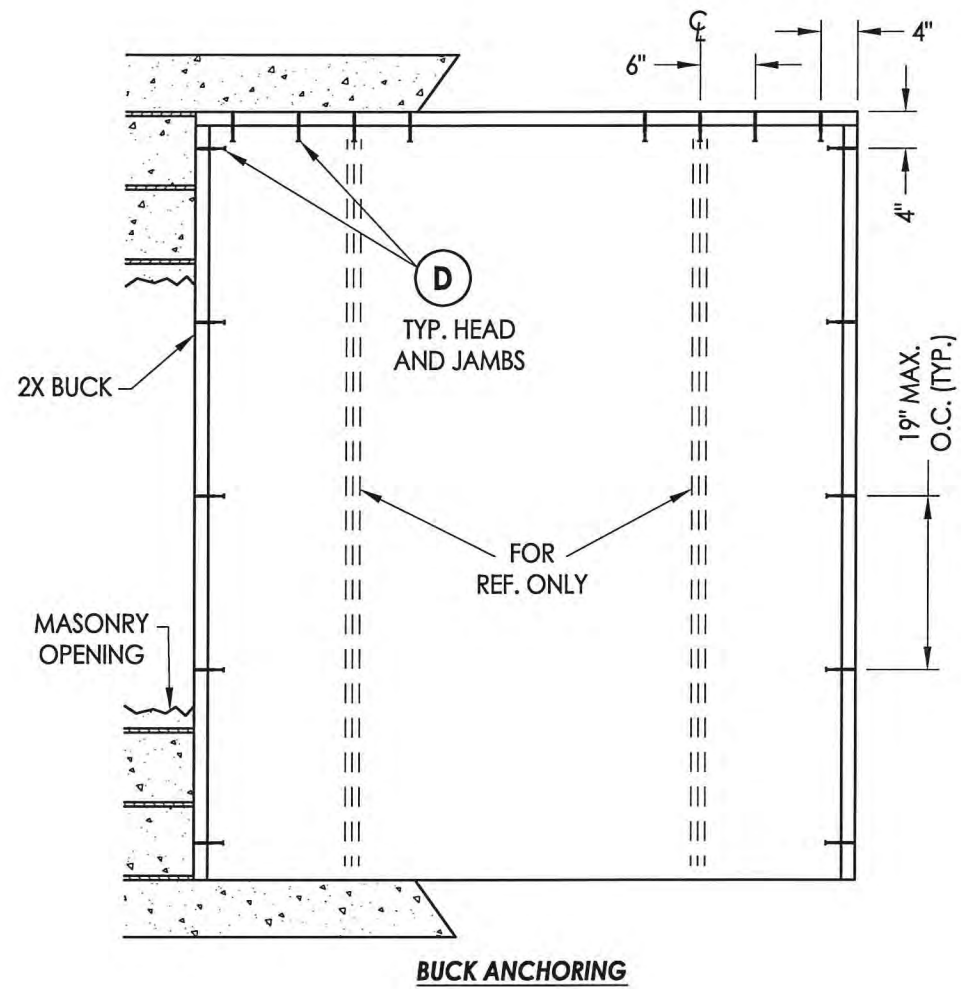
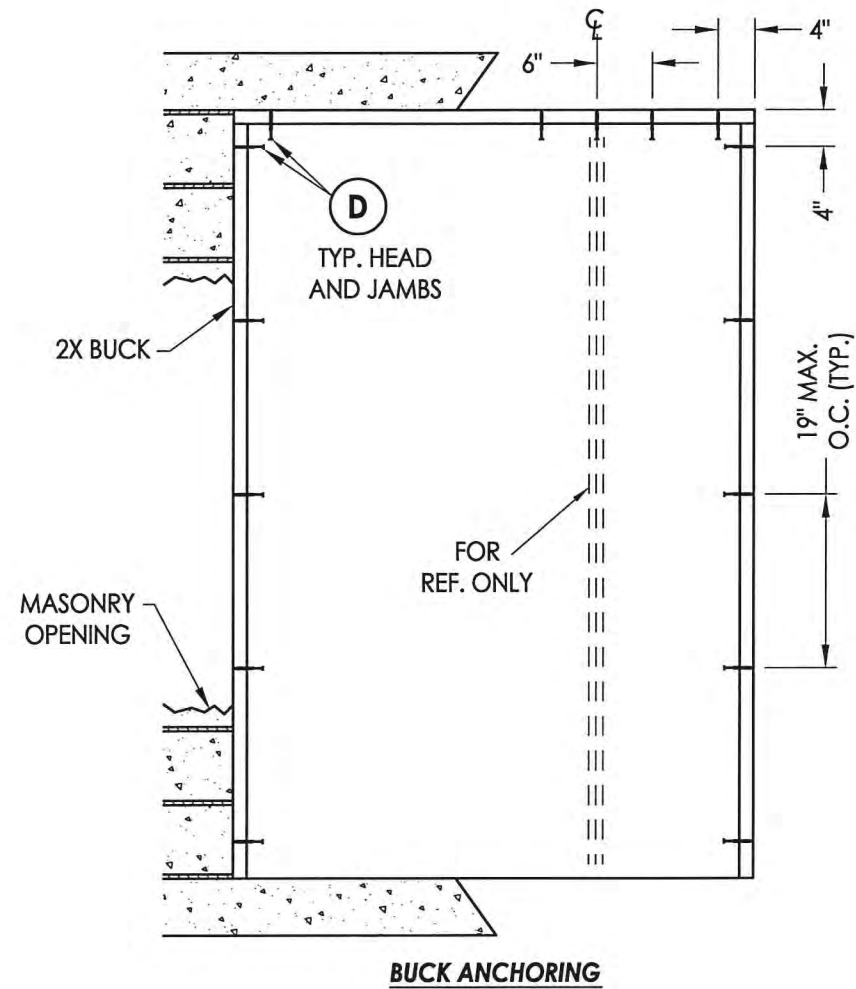


Documents Prepared By:  
Lyndon F. Schmidt  
P.E. No. 43409  
*RW*  
BUILDING CONSULTANTS, INC.  
P.O. Box 230, Valrico, FL 33595  
Phone No.: 813.659.9197  
FBPE C.A. No. 9813

PRODUCT:	TRINITY GLASS INT'L
PART OR ASSEMBLY:	VERTICAL CROSS SECTIONS

NO.	DATE	BY	REVISIONS
1	03/02/15	JK	UPDATE TO 5TH ED. (2014) FBC

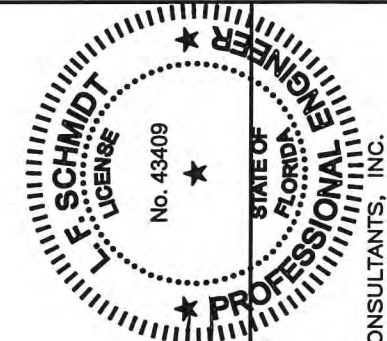
DATE:	2/27/12
SCALE:	N.T.S.
DWG. BY:	JK
CHK. BY:	LFS
DRAWING NO.:	FL-15255.15
SHEET	9 OF 13



**CONCRETE ANCHOR NOTES:**

1. Concrete anchor locations at the corners may be adjusted to maintain the min. edge distance to mortar joints.
2. Concrete anchor locations noted as "MAX. ON CENTER" must be adjusted to maintain the min. edge distance to mortar joints, additional concrete anchors may be required to ensure the "MAX. ON CENTER" dimension are not exceeded.
3. Concrete anchor table:

ANCHOR TYPE	ANCHOR SIZE	MIN. EMBEDMENT	MIN. CLEARANCE TO MASONRY EDGE	MIN. CLEARANCE TO ADJACENT ANCHOR
ITW TAPCON®	1/4"	1-1/4"	2"	4"
ELCO ULTRACON®	1/4"	1-1/4"	1"	4"



Documents Prepared By:  
Lyndon F. Schmidt  
P.E. No. 43409

**R.W.** BUILDING CONSULTANTS, INC.  
P.O. Box 230, Vairico, FL 33595  
Phone No.: 813.659.9197  
FBPE C.A. No. 9813

PRODUCT: TRINITY GLASS INT'L

PART OR ASSEMBLY:  
BUCK ANCHORING

NO.	DATE	BY
1	03/02/15	JK
UPDATE TO 5TH ED. (2014) FBC		

REVISIONS

DATE: 2/27/12

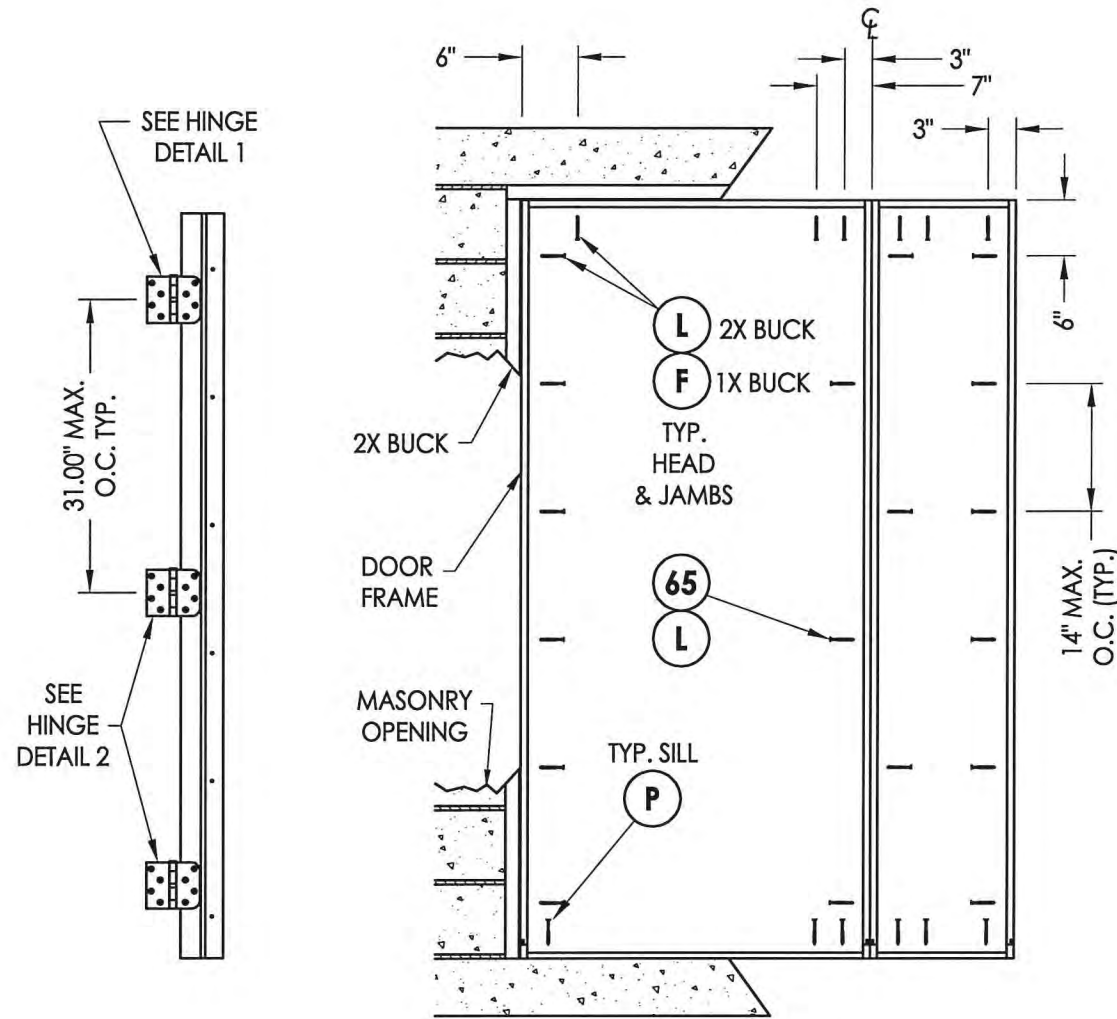
SCALE: N.T.S.

DWG. BY: JK

CHK. BY: LFS

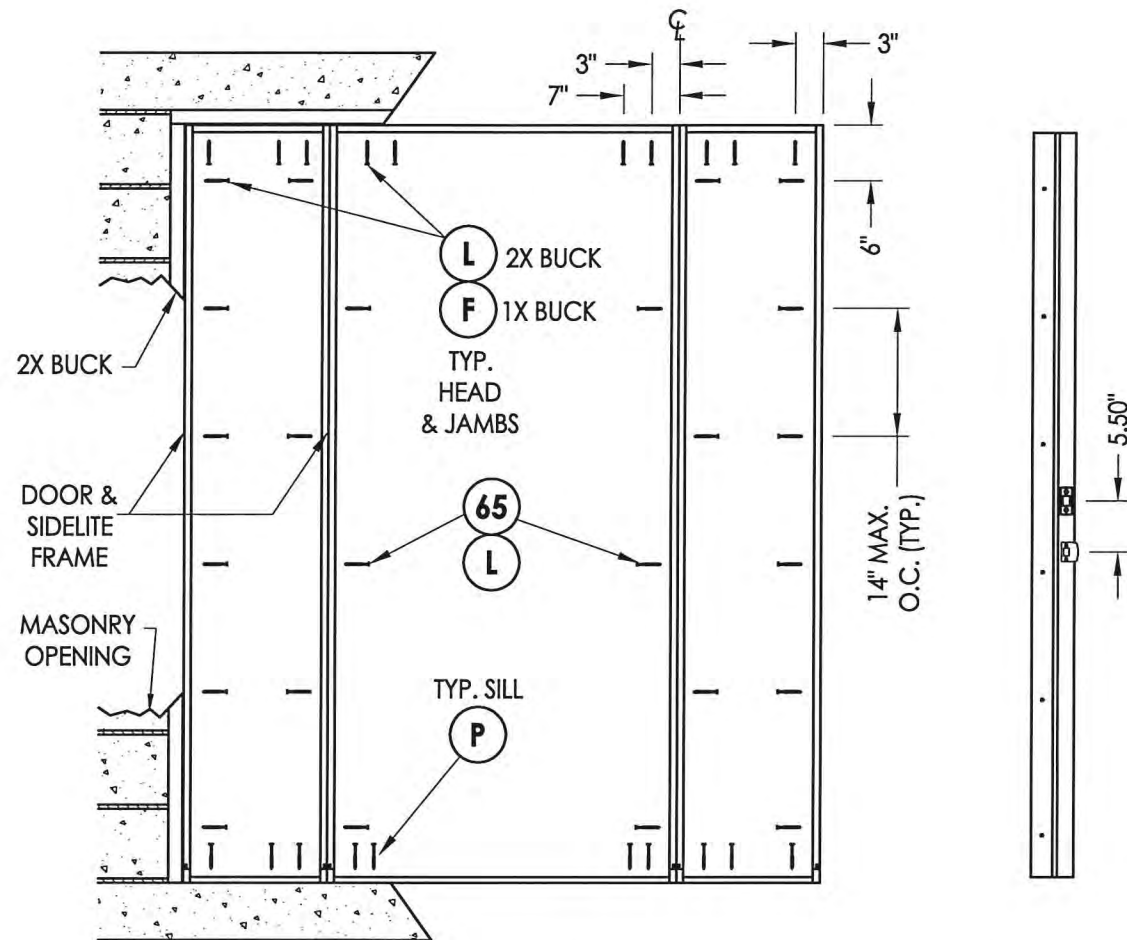
DRAWING NO.:  
FL-15255.15

SHEET 10 OF 13



**HINGE JAMB**

**FRAME ANCHORING**  
Masonry construction



**FRAME ANCHORING**  
Masonry construction

**STRIKE JAMB**

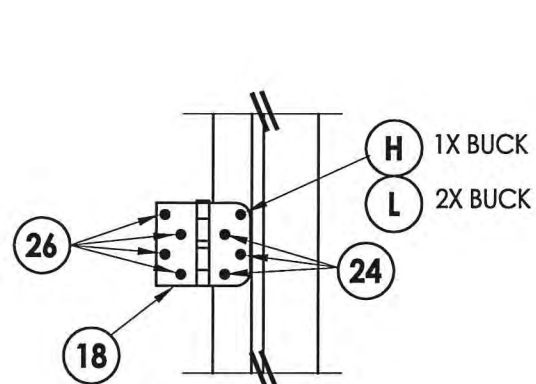
**CONCRETE ANCHOR NOTES:**

1. Concrete anchor locations at the corners may be adjusted to maintain the min. edge distance to mortar joints.
2. Concrete anchor locations noted as "MAX. ON CENTER" must be adjusted to maintain the min. edge distance to mortar joints, additional concrete anchors may be required to ensure the "MAX. ON CENTER" dimension are not exceeded.
3. Concrete anchor table:

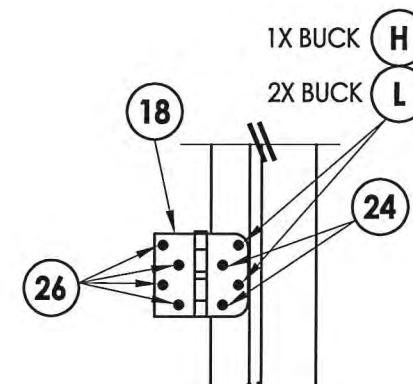
ANCHOR TYPE	ANCHOR SIZE	MIN. EMBEDMENT	MIN. CLEARANCE TO MASONRY EDGE	MIN. CLEARANCE TO ADJACENT ANCHOR
ITW TAPCON®	1/4"	1-1/4"	2"	4"
ELCO ULTRACON®	1/4"	1-1/4"	1"	4"
ITW TAPCON®	3/16"	1-1/4"	3"	1-1/2"

**WOOD SCREW INSTALLATION NOTES:**

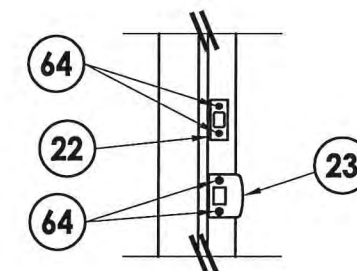
1. Maintain a minimum 5/8" edge distance, 1" end distance, & 1" o.c. spacing of wood screws to prevent the splitting of wood.



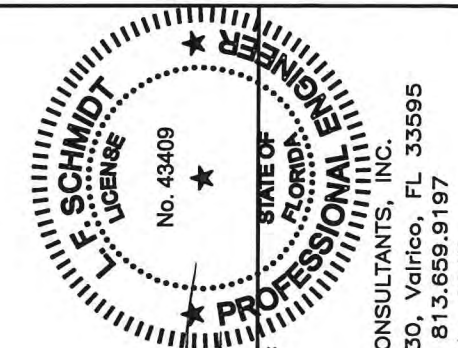
**HINGE DETAIL 2**



**HINGE DETAIL 1**



**STRIKE PLATE DETAIL**



Documents Prepared By:  
Lyndon F. Schmidt  
P.E. No. 43409

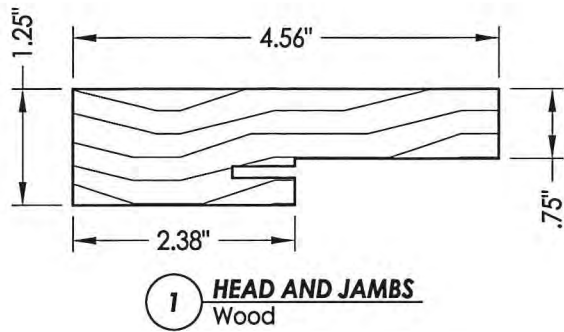
**R.W.** BUILDING CONSULTANTS, INC.  
P.O. Box 230, Valrico, FL 33595  
Phone No.: 813.659.9197  
FBPE C.A. No. 9813

PRODUCT: TRINITY GLASS INT'L  
PART OR ASSEMBLY: FRAME ANCHORING

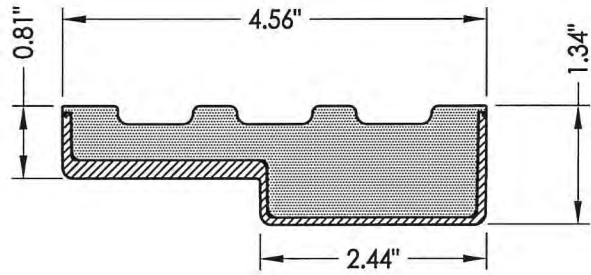
NO.	DATE	REVISIONS
1	03/02/15	UPDATE TO 5TH ED. (2014) FBC

DATE: 2/27/12  
SCALE: N.T.S.  
DWG. BY: JK  
CHK. BY: LFS  
DRAWING NO.: FL-15255.15  
SHEET 11 OF 13

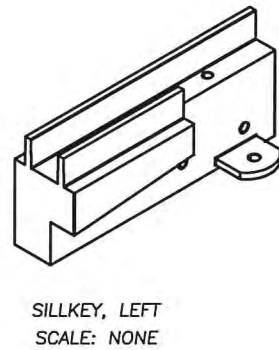
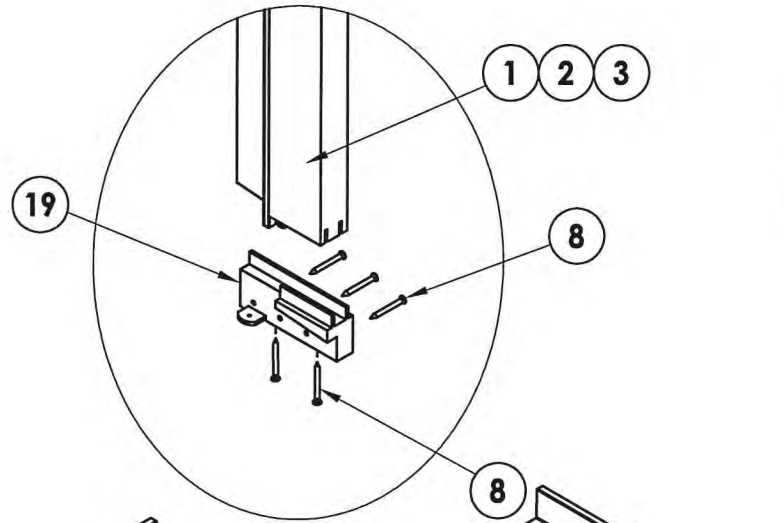
R:\Clients\Trinity PERMANENT\Florida Product Approvals\FL-15255\C - Drawings\FL-15255\FL-15255.13-16.dwg, 12.7



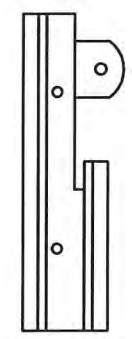
**1 HEAD AND JAMBS**  
Wood



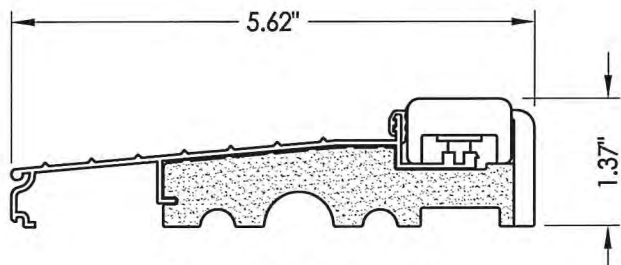
**2 HEAD AND JAMBS**  
Composite PVC Base  
w/ Fiberglass Wrap



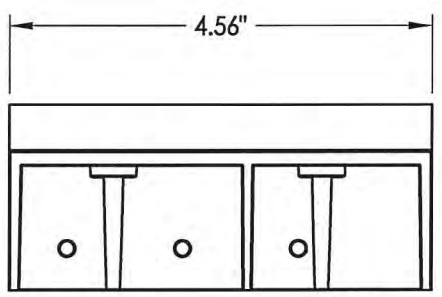
SILLKEY, LEFT  
SCALE: NONE



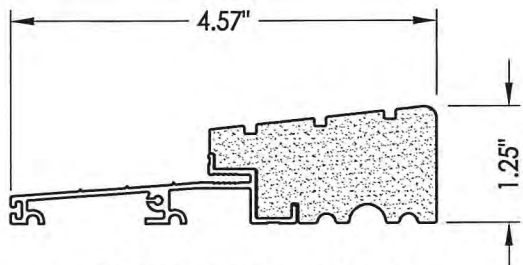
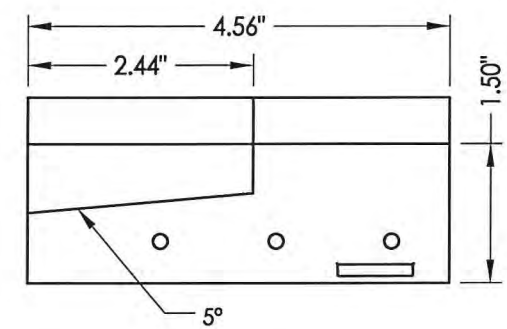
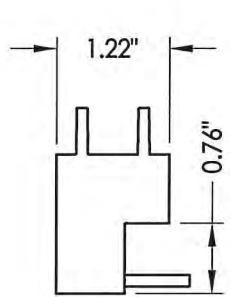
SILLKEY, RIGHT  
SCALE: NONE



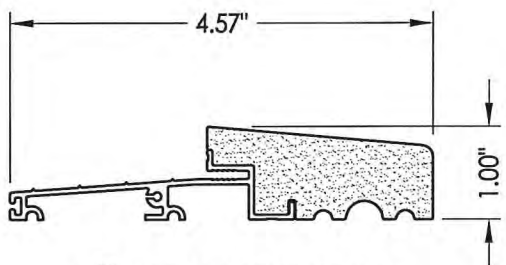
**5 INSWING THRESHOLD**



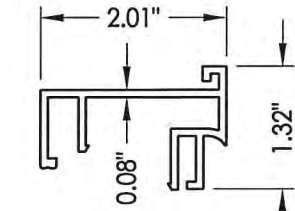
**19 SILLKEY DETAILS**  
Optional



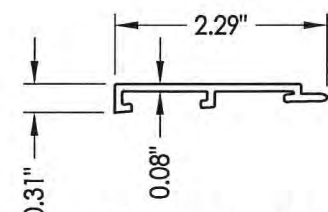
**25 OUTSWING THRESHOLD**  
High-dam



**27 OUTSWING THRESHOLD**



**61 SIDELITE SPACER**  
Inswing



**60 SIDELITE SPACER**  
Outswing

Documents Prepared By:  
 Lyndon F. Schmidt  
 P.E. No. 43409

**R.W.**  
 BUILDING CONSULTANTS, INC.  
 P.O. Box 230, Valrico, FL 33595  
 Phone No.: 813.659.9197  
 FBPE C.A. No. 9813

PRODUCT: TRINITY GLASS INT'L		PART OR ASSEMBLY: COMPONENTS	
NO.	DATE	BY	REVISIONS
1	03/02/15	JK	UPDATE TO 5TH ED. (2014) FBC
DATE: 2/27/12		SCALE: N.T.S.	
DWG. BY: JK		CHK. BY: LFS	
DRAWING NO.: FL-15255.15		SHEET 12 OF 13	

